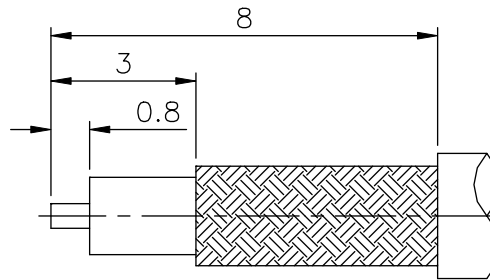
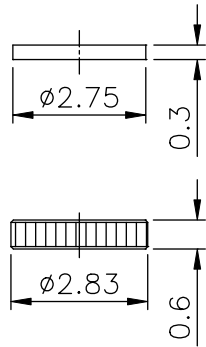
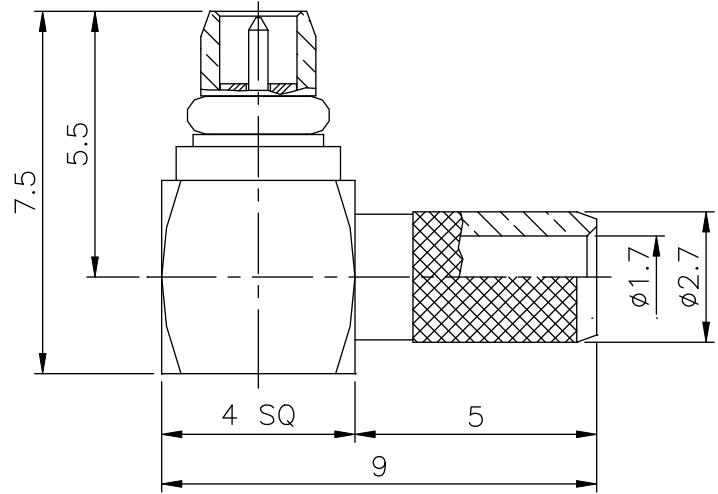
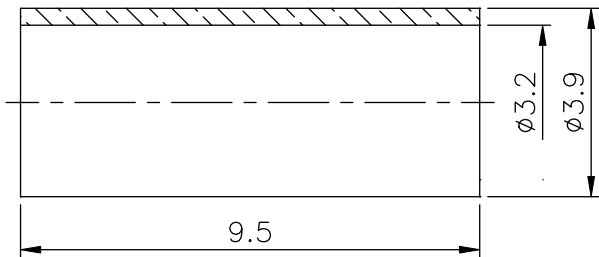


REMARK: RoHS COMPLIANT

REV	DESCRIPTION	DATE
A1	Initial Release	06'.08.01



RECOMMENDED
CABLE STRIPPING DIM'S



1. CRIMPED FERRULE
HEX CRIMP SIZE .128" (3.25mm)
2. CONTACT PIN TO SOLDER

- FINISH (PLATING THICKNESS IN MICRO-INCHES)
1. BRASS PER QQ-B-626
 2. GOLD PL 3 MIN OVER NICKEL PL 70 MIN THICK OVER COPPER STRIKE
 3. GOLD PL 30 MIN OVER NICKEL PL 70 MIN THICK OVER COPPER STRIKE
 4. TEFLON MIL-P-19468
 5. BERYLLIUM COPPER PER QQ-C-530
 6. BRASS JIS H 3250, C 2700

FERRULE	NOTE 6	NOTE 2
COVER	NOTE 1	NOTE 2
INSULATOR	NOTE 4	WHITE
C RING	NOTE 5	NOTE 2
CONTACT PIN	NOTE 1	NOTE 3
INSULATOR	NOTE 4	WHITE
BODY	NOTE 1	NOTE 2
DESCRIPTION	MATERIAL	FINISH

UNLESS OTHERWISE SPECIFIED
TOLERANCES

0.5~6 = ±0.2
 >6~30 = ±0.4
 >30~120 = ±0.6
 >120~315 = ±1
 >315~1000 = ±1.6
 ANGLES = ±5°

PANSTRONG COMPANY LTD.				DRAWN BY		TOMMY	
				CHECKED			
TITLE:		MMCX R/A CRIMP PLUG (FOR RG-174/U, 188A/U, 316/U)				APPROVED	
PART NO:		MXM01G0111R				DRAW NO	
File Number:							
SCALE	6:1	REV	A1	UNIT	mm		