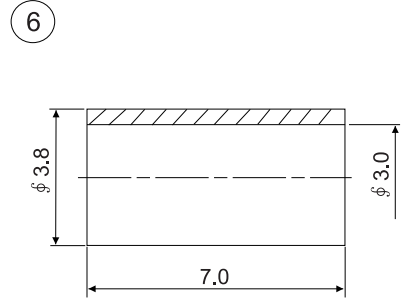
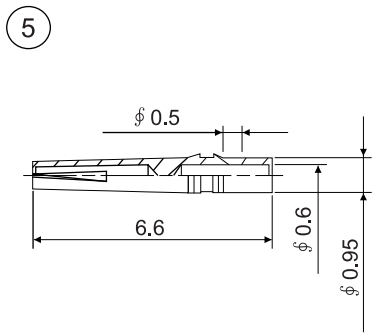
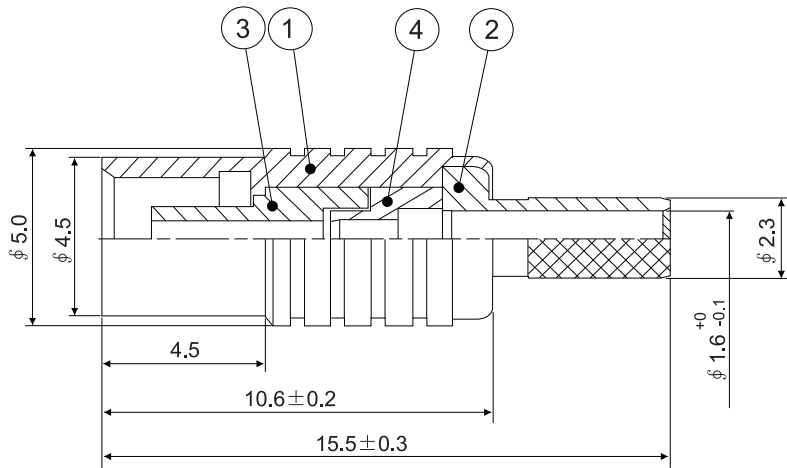


REV	DESCRIPTION	DATE
A	Initial Release	07.03.15



6	RING	BRASS	GOLD	1
5	PIN	BeCu	GOLD 30u" MIN	1
4	INSULATOR	TEFLON	WHITE	1
3	INSULATOR	TEFLON	WHITE	1
2	BODY	BRASS	GOLD	1
1	BODY	BRASS	GOLD	1
NO	DESCRIPTION	MATERIAL	FINISH	Q'TY

<b>PANSTRONG COMPANY LTD.</b>				DRAWN BY		TOMMY	
				CHECKED			
TITLE:		MCX JACK CRIMP RG174/U 188A/U 316/U				APPROVED	
PART NO:		XF02G0111				DRAW NO	
File Number:							
SCALE	/	REV	A	UNIT	mm		