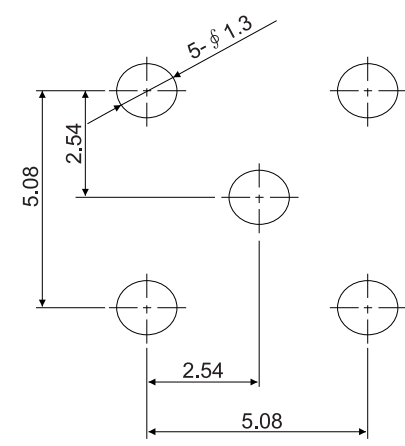
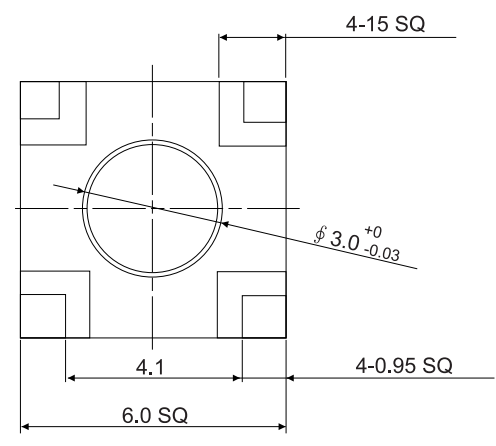
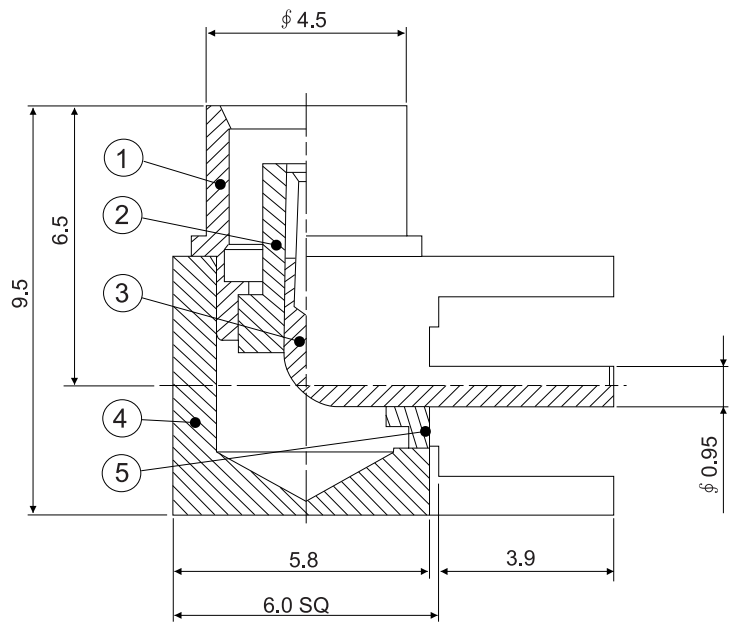



REV	DESCRIPTION	DATE
A	Initial Release	07.03.09



5	INSULATOR	TEFLON	WHITE	1
4	BODY	BRASS	GOLD 3u"MIN	1
3	PIN	BeCu	GOLD 3u"MIN	1
2	INSULATOR	TEFLON	WHITE	1
1	BODY	BRASS	GOLD 3u"MIN	1
NO	DESCRIPTION	MATERIAL	FINISH	Q'TY

 PANSTRONG COMPANY LTD.				DRAWN BY	TOMMY
				CHECKED	
TITLE:		MCX FEMALE R/A PCB		APPROVED	
PART NO:		XF01G0101		DRAW NO	
File Number:				UNIT	mm
SCALE	/	REV	A	