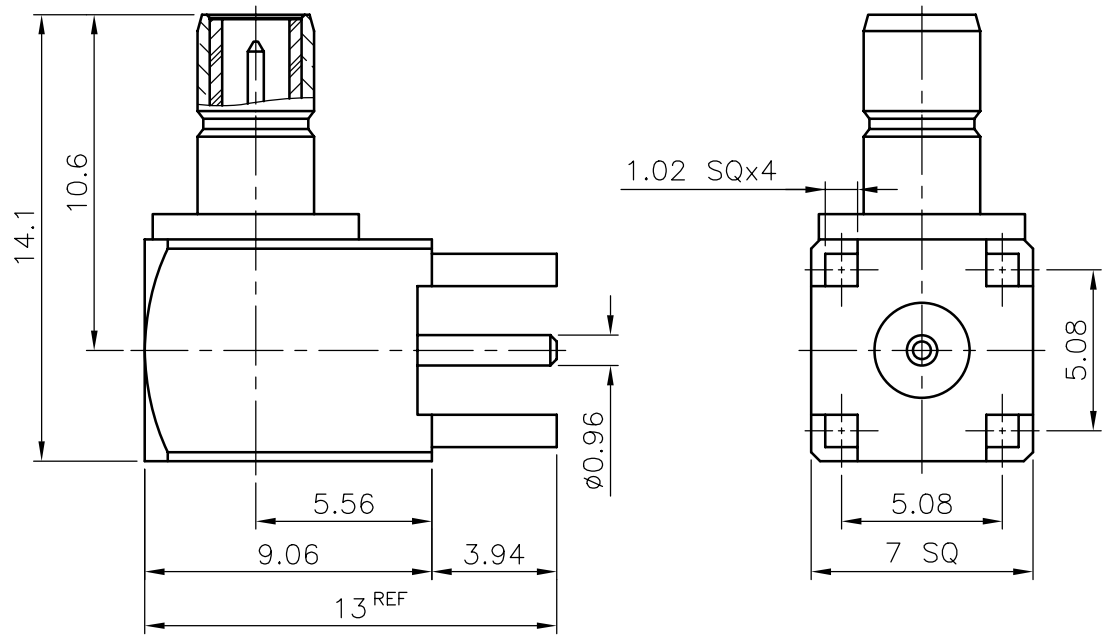


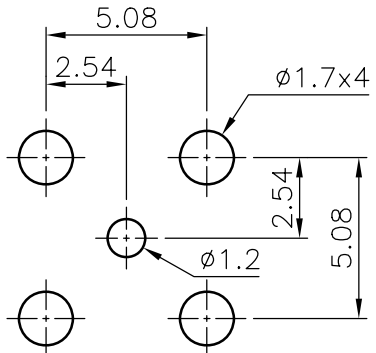
REMARK: RoHS COMPLIANT

REV	DESCRIPTION	DATE
A	Initial Release	08'.12.23



- FINISH (PLATING THICKNESS IN MICRO-INCHES)
1. BRASS PER QQ-B-626
  2. GOLD PL 3 MIN OVER NICKEL PL 70 MIN THICK OVER COPPER STRIKE
  3. GOLD PL 30 MIN OVER NICKEL PL 70 MIN THICK OVER COPPER STRIKE
  4. TEFLON MIL-P-19468

INSULATOR	NOTE 4	WHITE
INSULATOR	NOTE 4	WHITE
BODY	NOTE 1	NOTE 2
CONTACT PIN	NOTE 1	NOTE 3
CUBE BODY	NOTE 1	NOTE 2
DESCRIPTION	MATERIAL	FINISH



P.C.B. LAYOUT

UNLESS OTHERWISE SPECIFIED TOLERANCES

0.5-6 =  $\pm 0.2$   
 >6-30 =  $\pm 0.4$   
 >30-120 =  $\pm 0.6$   
 >120-315 =  $\pm 1$   
 >315-1000 =  $\pm 1.6$   
 ANGLES =  $\pm 5^\circ$

PANSTRONG COMPANY LTD.	DRAWN BY	TOMMY
	CHECKED	
TITLE:	SMB R/A PCB MOUNT JACK	
PART NO:	SMBF01G0101	
File Number:		
SCALE	4:1	REV A
UNIT	mm	