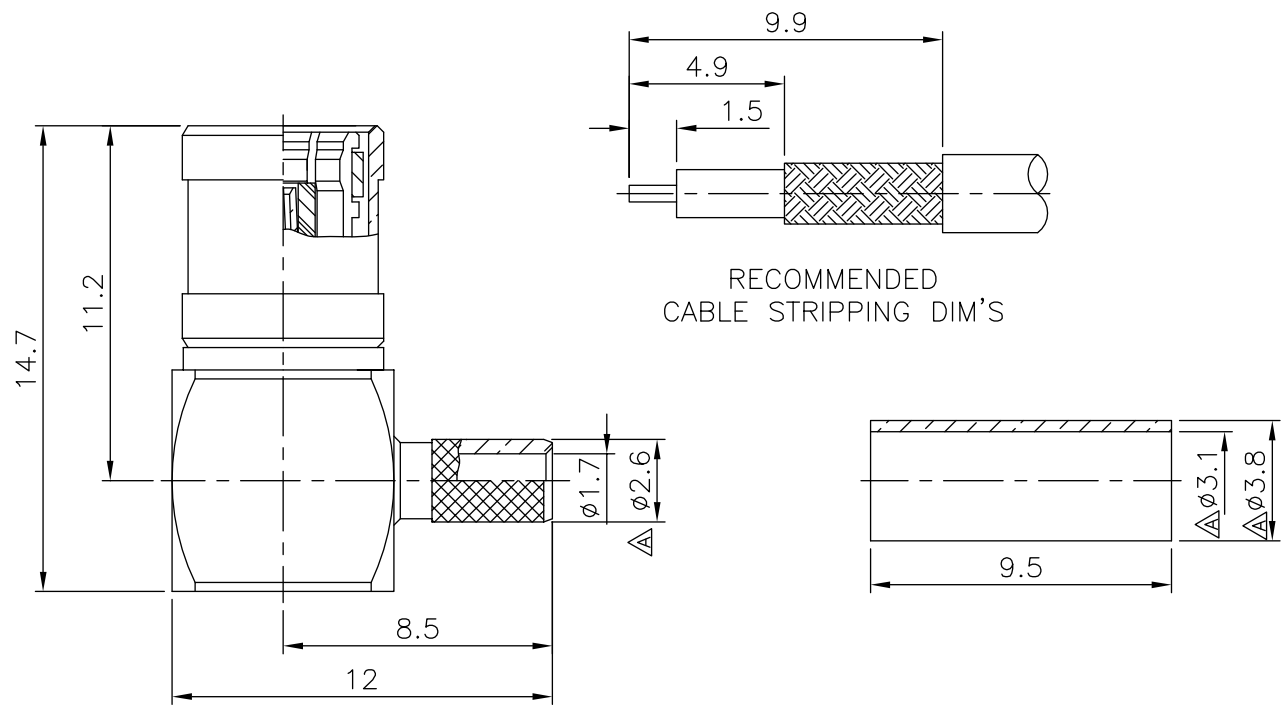


REVISIONS		
ISS	SYMBOL	DESCRIPTION\DATE
A2		更換 FERRULE \ 10/28/09'
A3		更換 FERRULE \ 09/05/11'
A4	△	依據建絡單 PC-110905-02 φ2.7,φ3.9,φ3.2 變更為 φ2.6,φ3.8,φ3.1 \ 12/13/11'

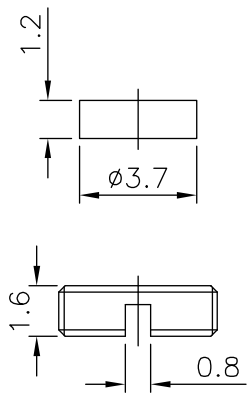


RECOMMENDED  
CABLE STRIPPING DIM'S

1. CRIMPED FERRULE  
HEX CRIMP SIZE .128" (3.25mm)
2. CONTACT PIN TO SOLDER

FINISH (PLATING THICKNESS IN MICRO-INCHES)

1. BRASS PER QQ-B-626
2. GOLD PL 3 MIN OVER NICKEL PL 70 MIN THICK OVER COPPER STRIKE
3. GOLD PL 30 MIN OVER NICKEL PL 70 MIN THICK OVER COPPER STRIKE
4. TEFLON MIL-P-19468
5. BERYLLIUM COPPER PER QQ-C-530
6. BRASS JIS H 3250, C 2700



DESCRIPTION	MATERIAL	FINISH
NUT	NOTE 1	NOTE 2
SPACER	NOTE 4	WHITE
FERRULE	NOTE 6	NOTE 2
SHELL	NOTE 1	NOTE 2
C RING	NOTE 5	NONE
CUBE BODY	NOTE 1	NOTE 2
CONTACT PIN	NOTE 5	NOTE 3
INSULATOR	NOTE 4	WHITE
BODY	NOTE 1	NOTE 2

RoHS COMPLIANT

DIMENSIONS ARE IN MILLIMETERS  
UNLESS OTHERWISE SPECIFIED  
TOLERANCES  
0.5-6 = ±0.2  
>6-30 = ±0.4  
30-100 = ±0.6  
>100-315 = ±1  
>315-1000 = ±1.6  
ANGLES = ±5°

PANSTRONG COMPANY LTD.				DRAWN BY		TOMMY	
				CHECKED			
TITLE:		SMB R/A CRIMP PLUG (FOR RG-174/U,188A/U,316/U)				APPROVED	
PART NO:		SMBM01G0111-174				DRAWING NO. 9111NR509 BD000B	
SCALE		4:1	REV	A	UNIT	mm	