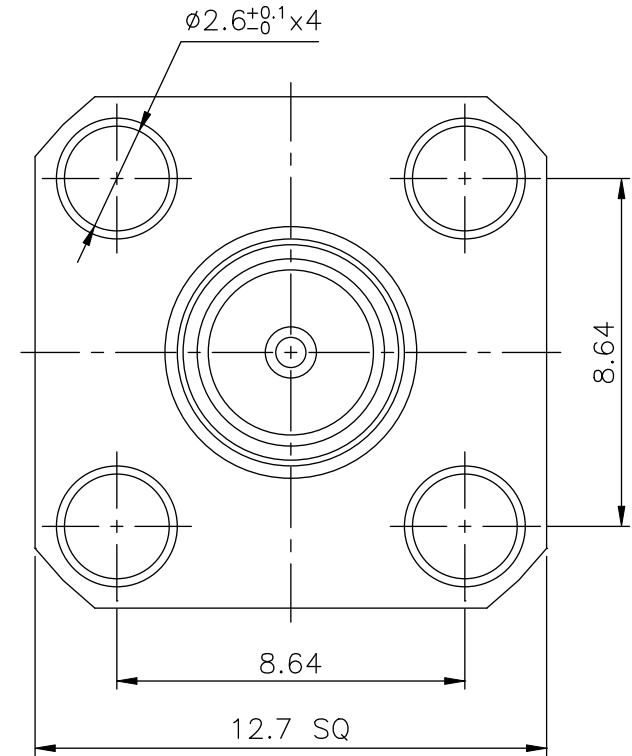
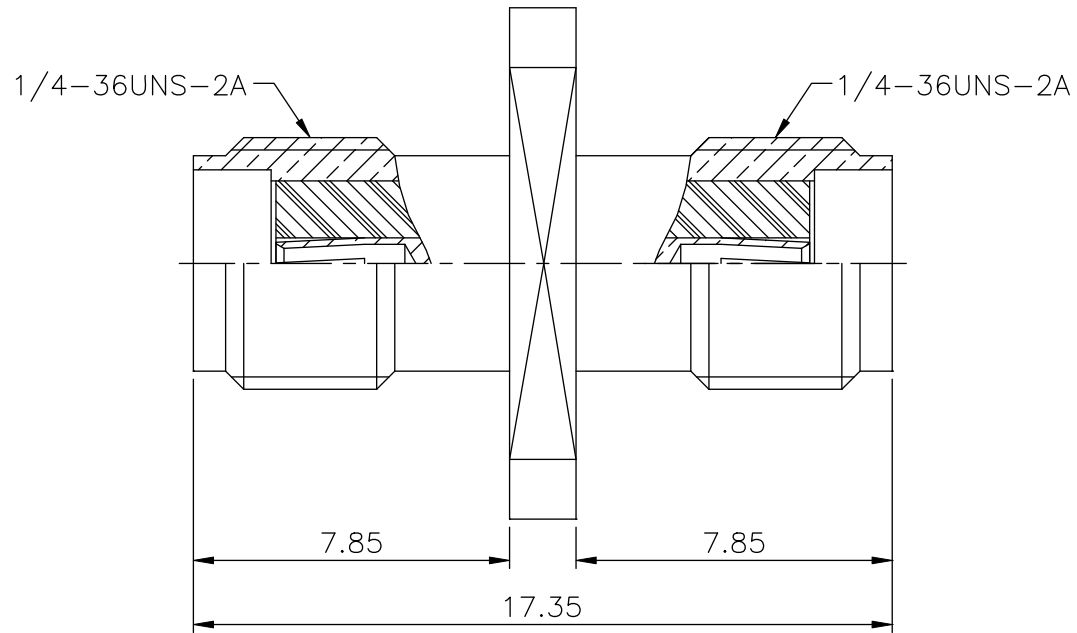


REMARK: RoHS COMPLIANT

REV	DESCRIPTION	DATE
A	Initial Release	07.03.27



- FINISH (PLATING THICKNESS IN MICRO-INCHES)
1. BRASS PER QQ-B-626
 2. GOLD PL 3 MIN OVER NICKEL PL 70 MIN THICK OVER COPPER STRIKE
 3. GOLD PL 30 MIN OVER NICKEL PL 70 MIN THICK OVER COPPER STRIKE
 4. TEFLON MIL-P-19468
 5. BERYLLIUM COPPER PER QQ-C-530

CONTACT PIN	NOTE 5	NOTE 3
INSULATOR	NOTE 4	WHITE
BODY	NOTE 1	NOTE 2
DESCRIPTION	MATERIAL	FINISH

DIMENSIONS ARE IN MILLIMETERS
UNLESS OTHERWISE SPECIFIED
TOLERANCES

0.5-6	= ±0.2
>6-30	= ±0.4
>30-120	= ±0.6
>120-315	= ±1
>315-1000	= ±1.6
ANGLES	= ±5°

	PANSTRONG COMPANY LTD.			DRAWN BY	TOMMY
	TITLE: SMA PANEL JACK TO JACK ADAPTOR			CHECKED	
PART NO: SMAF/F02G0106H4			APPROVED		
File Number:			DRAW NO		
SCALE	5:1	REV	A	UNIT	mm