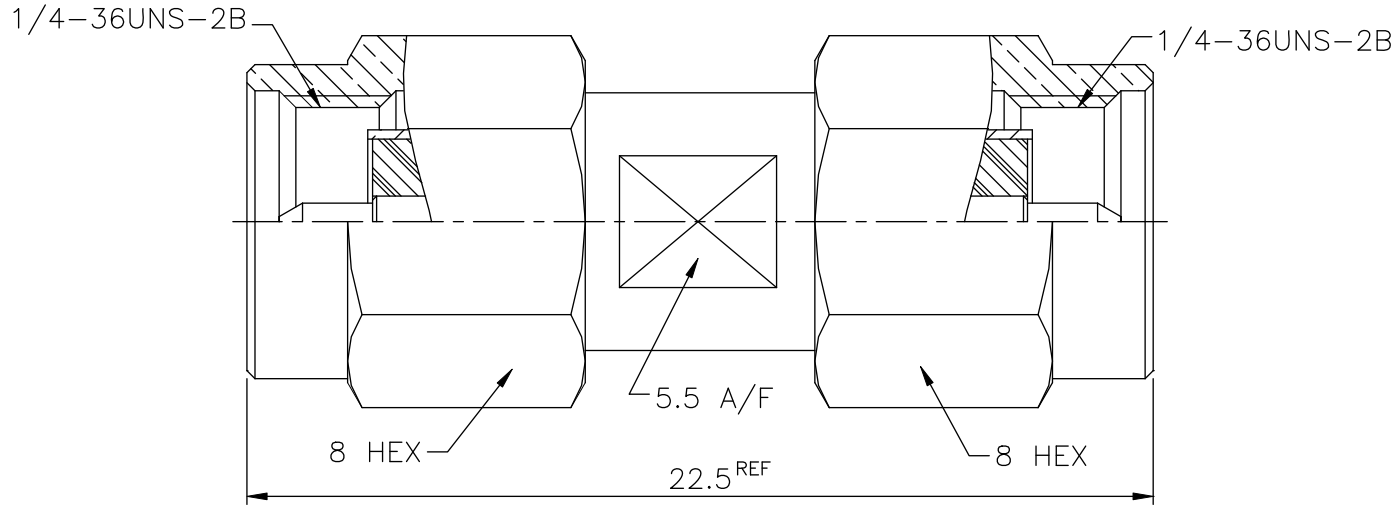


REMARK: RoHS COMPLIANT

REV	DESCRIPTION	DATE
A	Initial Release	06.08.15



- FINISH (PLATING THICKNESS IN MICRO-INCHES)
1. BRASS PER QQ-B-626
  2. GOLD PL 3 MIN OVER NICKEL PL 70 MIN THICK OVER COPPER STRIKE
  3. GOLD PL 30 MIN OVER NICKEL PL 70 MIN THICK OVER COPPER STRIKE
  4. TEFLON MIL-P-19468
  5. BERYLLIUM COPPER PER QQ-C-530

SHELL	NOTE 1	NOTE 2
GASKET	SILICONE	RED
C RING	NOTE 5	NONE
CONTACT PIN	NOTE 1	NOTE 3
INSULATOR	NOTE 4	WHITE
BODY	NOTE 1	NOTE 2
DESCRIPTION	MATERIAL	FINISH

DIMENSIONS ARE IN MILLIMETERS  
UNLESS OTHERWISE SPECIFIED  
TOLERANCES

0.5-6	= ±0.2
>6-30	= ±0.4
>30-120	= ±0.6
>120-315	= ±1
>315-1000	= ±1.6
ANGLES	= ±5°

<b>PANSTRONG COMPANY LTD.</b>				DRAWN BY		TOMMY	
				CHECKED			
TITLE:		SMA PLUG TO PLUG ADAPTOR				APPROVED	
PART NO:		SMAM/M02G01				DRAW NO	
File Number:							
SCALE	5:1	REV	A	UNIT	mm		