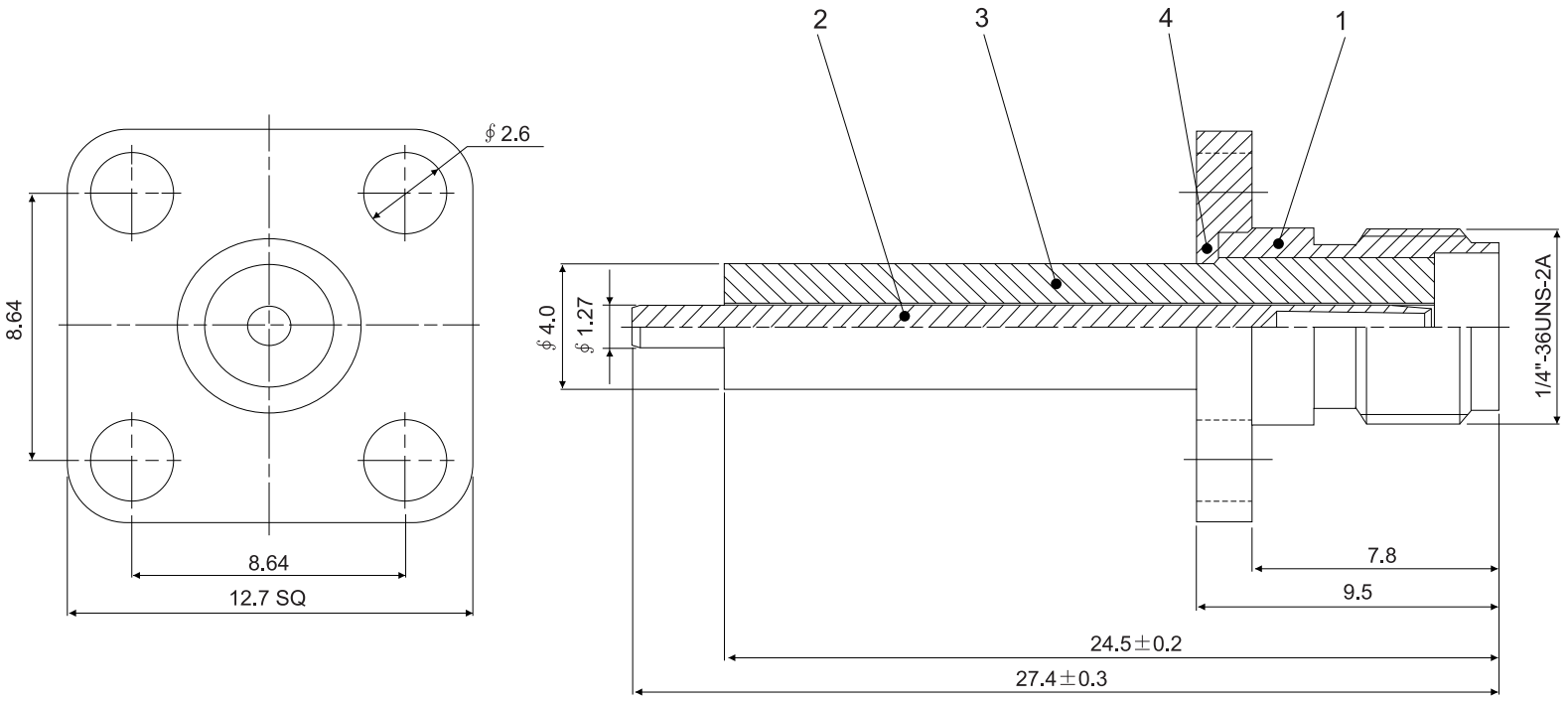



REV	DESCRIPTION	DATE
A	Initial Release	07.04.11



4	WASHER	BRASS	GOLD 3u"MIN	1
3	INSULATOR	TEFLON	WHITE	1
2	PIN	BeCu	GOLD 30u"MIN	1
1	BODY	BRASS	GOLD 3u"MIN	1
NO	DESCRIPTION	MATERIAL	FINISH	Q'TY

 <b>PANSTRONG COMPANY LTD.</b>		DRAWN BY	TOMMY
		CHECKED	
TITLE:	SMA PANEL MOUNT JACK		APPROVED
PART NO:	SMAF02G0106H4B		DRAW NO
File Number:			
SCALE	/	REV	A
UNIT	mm	