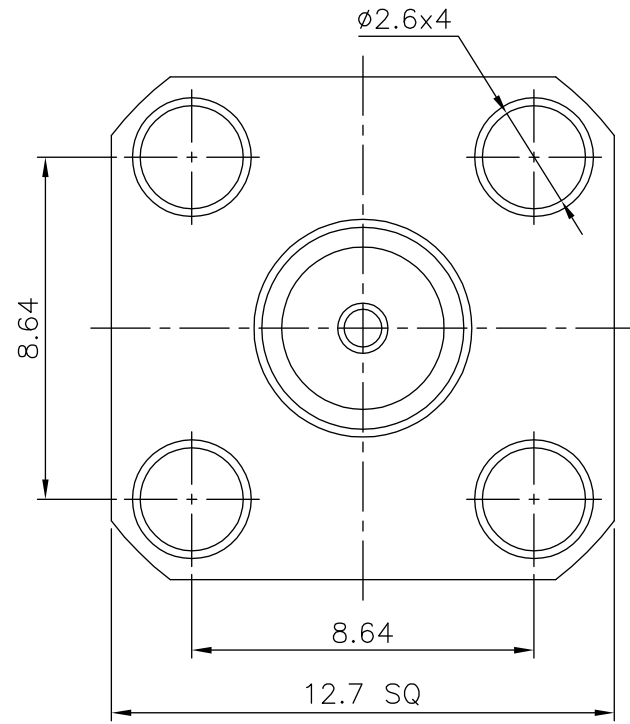
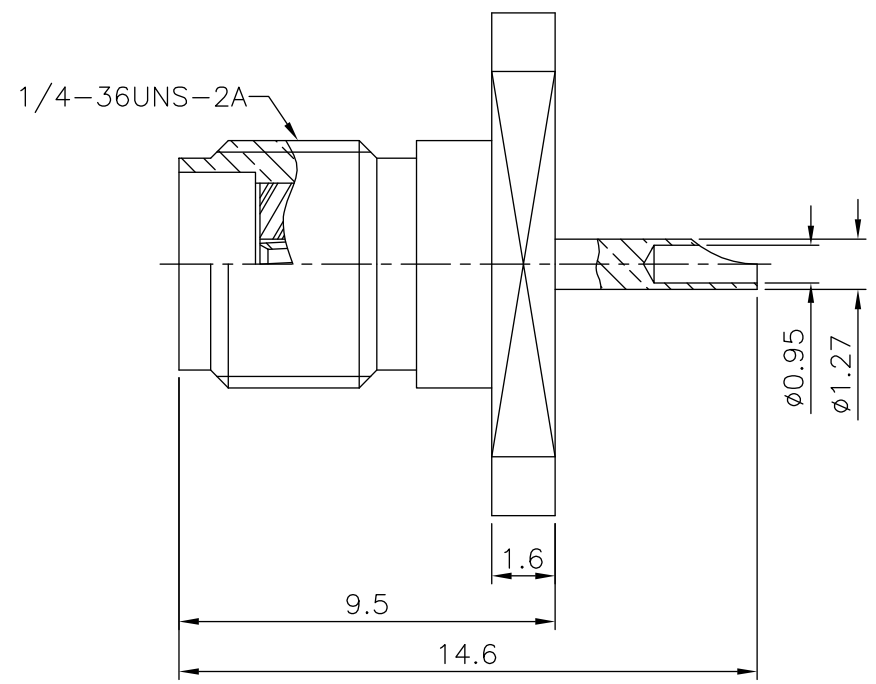


REV	DESCRIPTION	DATE
A	Initial Release & Add REMARK	11'.06.21

REMARK:INTERFACE DIMENSIONS IP65 COMPLIANT



DESCRIPTION	MATERIAL	FINISH
LOCK RING	NOTE 1	NOTE 2
INSULATOR	NOTE 4	WHITE
INSULATOR	NOTE 4	WHITE
CONTACT PIN	NOTE 5	NOTE 3
BODY	NOTE 1	NOTE 2

- NOTES: FINISH (PLATING THICKNESS IN MICRO-INCHES)
- BRASS PER QQ-B-626
 - GOLD PL 3 MIN OVER NICKEL PL 70 MIN THICK OVER COPPER STRIKE
 - GOLD PL 30 MIN OVER NICKEL PL 70 MIN THICK OVER COPPER STRIKE
 - TEFLON MIL-P-19468
 - BERYLLIUM COPPER PER QQ-C-530

RoHS COMPLIANT

DIMENSIONS ARE IN MILLIMETERS UNLESS OTHERWISE SPECIFIED TOLERANCES

0.5-6	= ±0.2
>6-30	= ±0.4
>30-120	= ±0.6
>120-315	= ±1
>315-1000	= ±1.6
ANGLES	= 35°

PANSTRONG COMPANY LTD.				DRAWN BY		TOMMY	
				CHECKED			
TITLE:		SMA PANEL RECEIPT JACK				APPROVED	
PART NO:		SMAF02G0106H4				DRAWING NO.	
SCALE		5:1	REV	A	UNIT	mm	