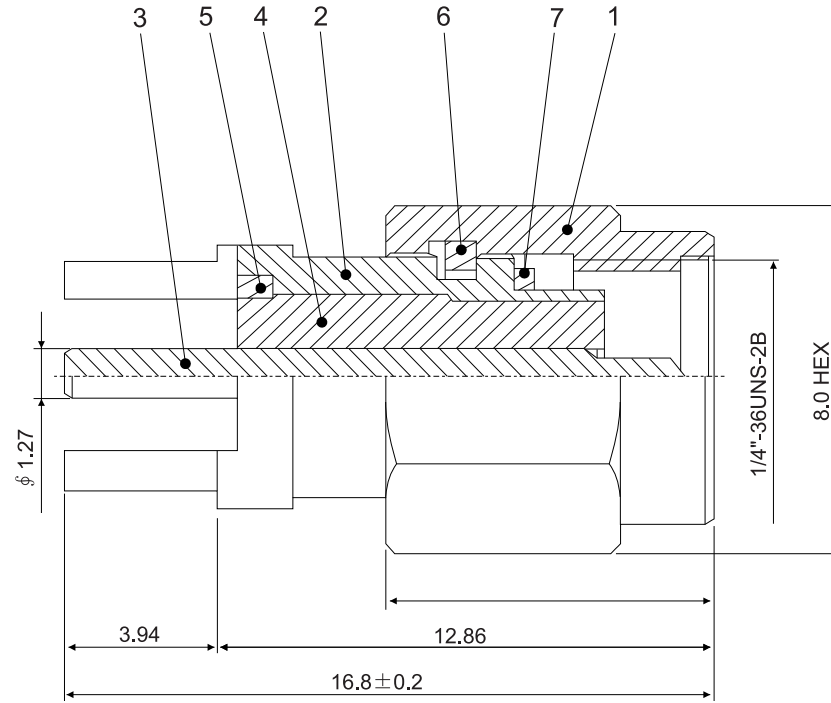
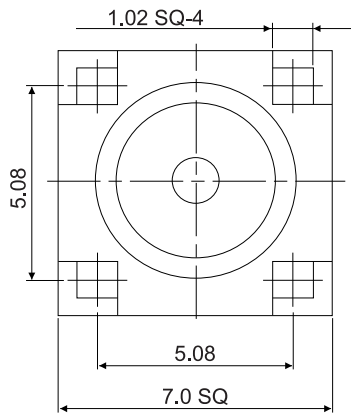

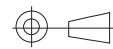


| REV | DESCRIPTION     | DATE     |
|-----|-----------------|----------|
| A   | Initial Release | 07.03.29 |



|    |             |          |               |      |
|----|-------------|----------|---------------|------|
| 7  | WASHER      | BRASS    | NONE          | 1    |
| 6  | GASKET      | BUBBER   | RED           | 1    |
| 5  | WASHER      | BRASS    | GOLD 3u" MIN  | 1    |
| 4  | INSULATOR   | TEFLON   | WHITE         | 1    |
| 3  | PIN         | BRASS    | GOLD 30u" MIN | 1    |
| 2  | BODY        | BRASS    | GOLD 3u" MIN  | 1    |
| 1  | SHELL       | BRASS    | GOLD 3u" MIN  | 1    |
| NO | DESCRIPTION | MATERIAL | FINISH        | Q'TY |

|   |                    |   |          |
|---|--------------------|---|----------|
|  <b>PANSTRONG COMPANY LTD.</b> |                    | DRAWN BY  | TOMMY    |
|   |                    | CHECKED   |          |
| TITLE:  | SMA MALE P.C BOARD |   | APPROVED |
| PART NO:  | SMAM02G0101        |   | DRAW NO  |
| File Number:  |                    |   |          |
| SCALE   | /                  | REV   | A        |
| UNIT  | mm                 |  |          |