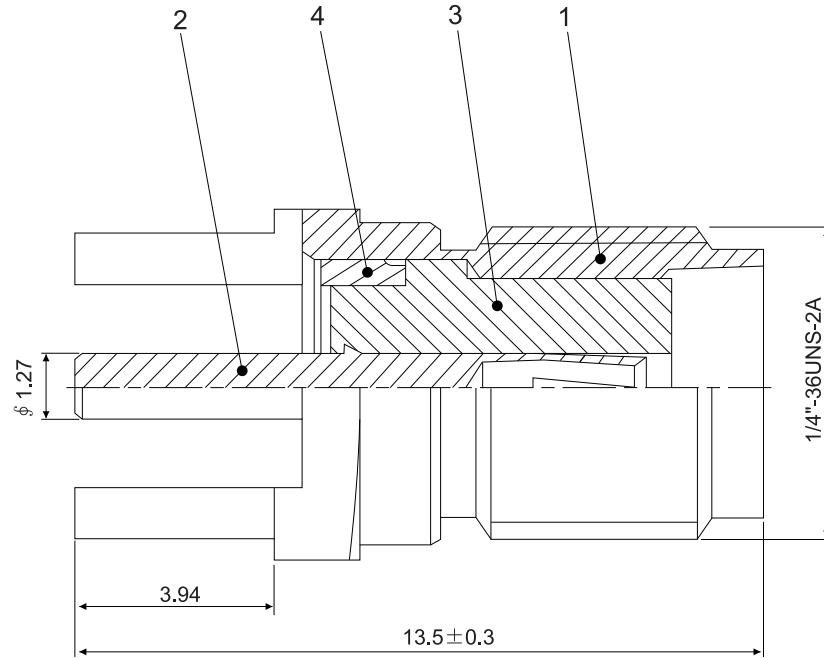
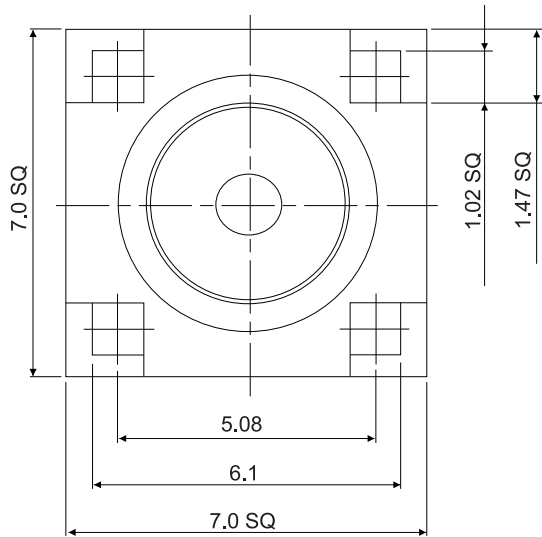



REV	DESCRIPTION	DATE
A	Initial Release	07.03.30



4	WASHER	BRASS	GOLD	1
3	INSULATOR	TEFLON	WHITE	1
2	PIN	BeCu	GOLD 30u" MIN	1
1	BODY	BRASS	GOLD	1
NO	DESCRIPTION	MATERIAL	FINISH	Q'TY

 <b>PANSTRONG COMPANY LTD.</b>		DRAWN BY	TOMMY
		CHECKED	
TITLE: SMA JACK P.C. BOARD		APPROVED	
PART NO: SMAF02G0101		DRAW NO	
File Number:		UNIT	mm
SCALE	/	REV	A
		