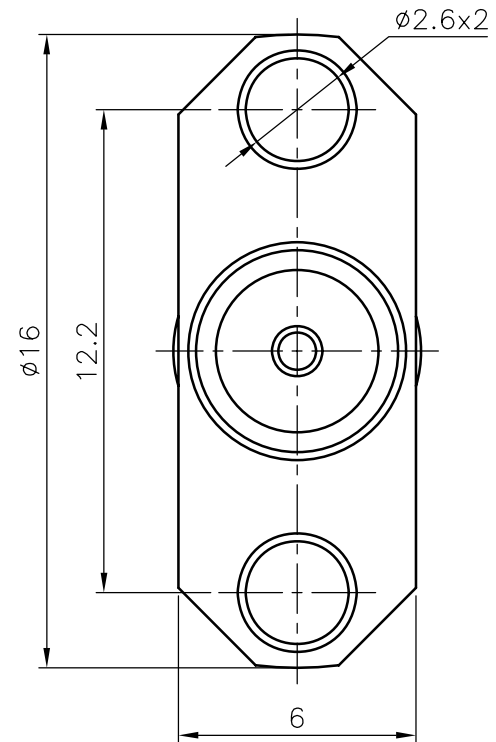
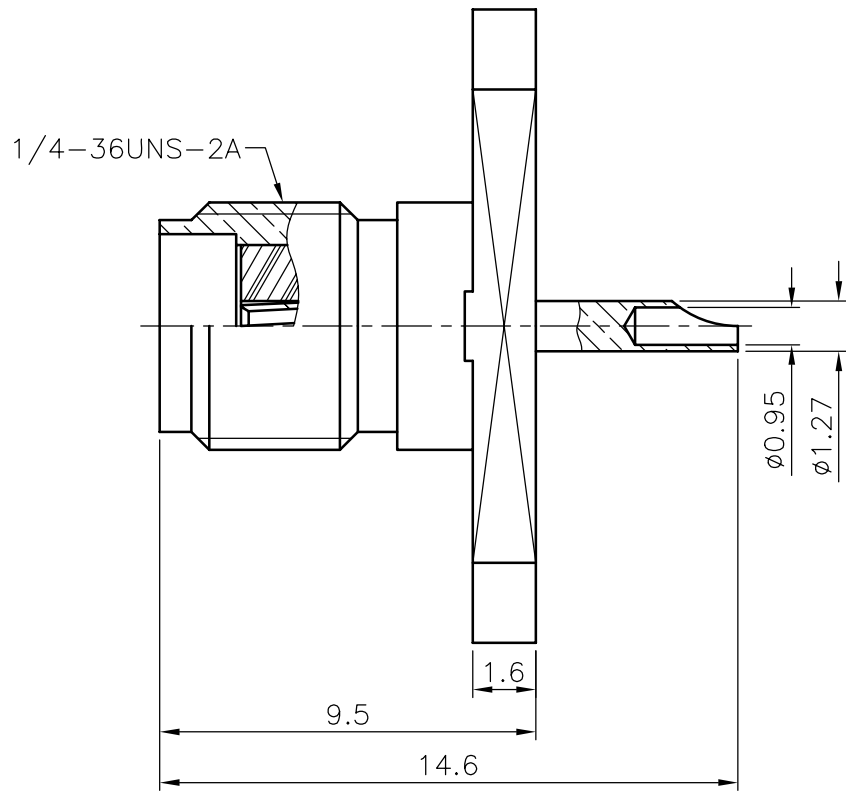


REV	DESCRIPTION	DATE
A	Initial Release	07.05.04

FINISH (PLATING THICKNESS IN MICRO-INCHES)

1. BRASS PER QQ-B-626
2. GOLD PL 3 MIN OVER NICKEL PL 70 MIN THICK OVER COPPER STRIKE
3. GOLD PL 30 MIN OVER NICKEL PL 70 MIN THICK OVER COPPER STRIKE
4. TEFLON MIL-P-19468
5. BERYLLIUM COPPER PER QQ-C-530



REMARK: RoHS COMPLIANT

LOCK RING	NOTE 1	NOTE 2
INSULATOR	NOTE 4	WHITE
INSULATOR	NOTE 4	WHITE
CONTACT PIN	NOTE 5	NOTE 3
BODY	NOTE 1	NOTE 2
DESCRIPTION	MATERIAL	FINISH

UNLESS OTHERWISE SPECIFIED
TOLERANCES

0.5~6 = ±0.2
 >6~30 = ±0.4
 >30~120 = ±0.6
 >120~315 = ±1
 >315~1000 = ±1.6
 ANGLES = ±5°

	PANSTRONG COMPANY LTD.		DRAWN BY	TOMMY
			CHECKED	
TITLE:	SMA PANEL RECEPT JACK		APPROVED	
PART NO:	SMAF02G0106H2		DRAW NO	
File Number:				
SCALE	5:1	REV	A	UNIT mm