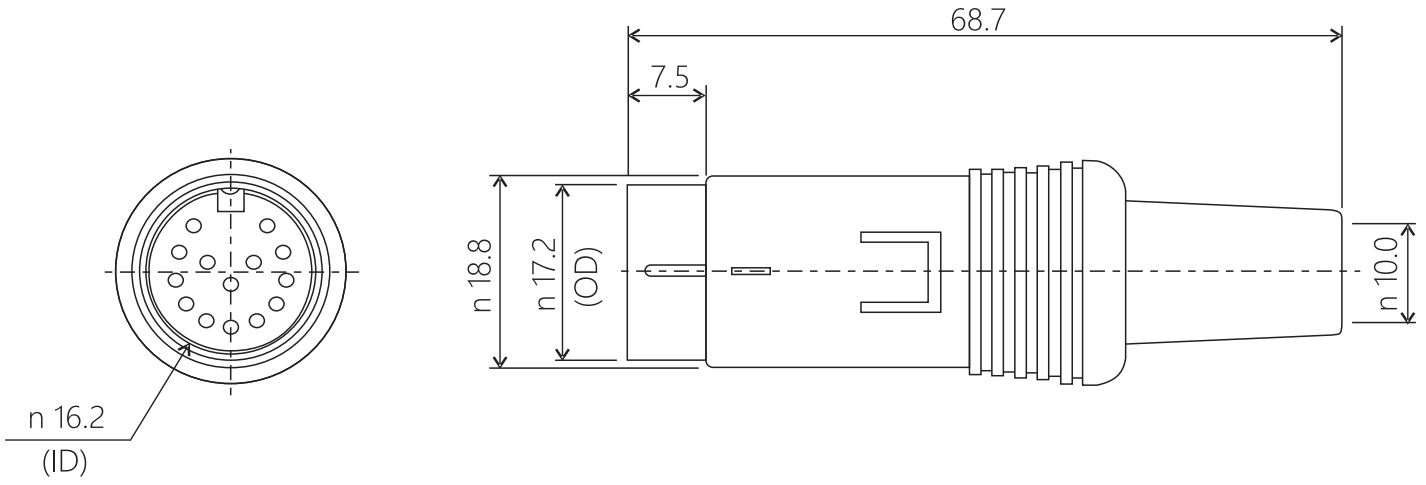
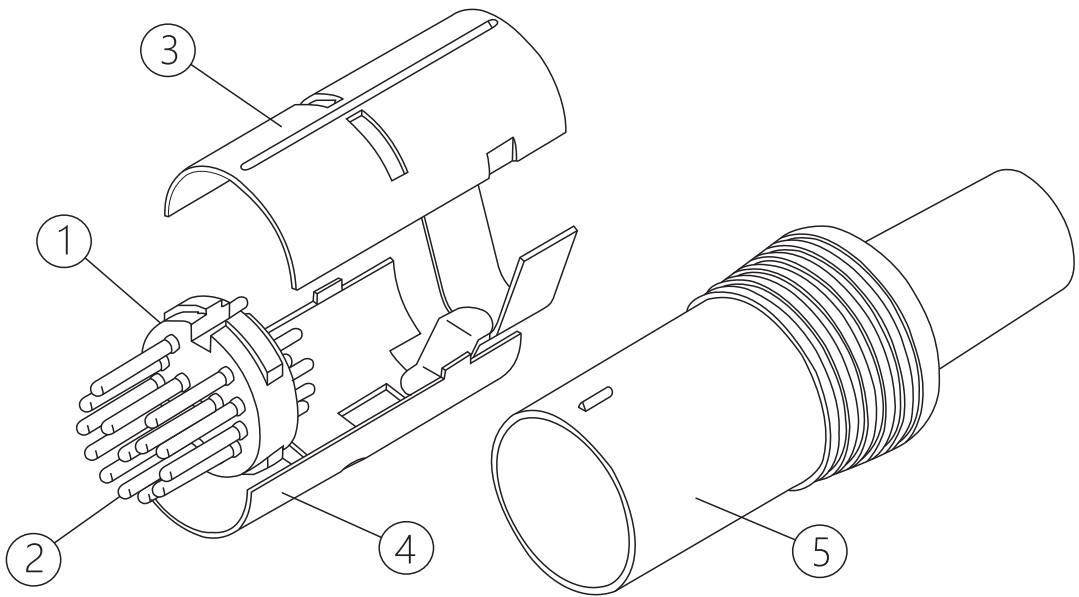


REV	DESCRIPTION	DATE
A	Initial Release	09.08.28



SPECIFICATIONS:
 Dielectric Strength : 250V AC/1 Minute
 Insulation resistance : 50MΩ Min. at 250V DC
 Rating : 12V DC 1A Max.



5	PLASTIC BODY	1	NYLON	[101]		UL94V2
4	COVER-B	1	BSR-H(0.5t)	[C2680R]	NICKEL	30-50U"
3	COVER-A	1	BSR-H(0.5t)	[C2680R]	NICKEL	30-50U"
2	CONTACT TERMINAL	14	BSR-H(1.3D)	[R-35]	SILVER PLATED	30-50U"
1	PLASTIC CORE	1	NYLON	[101]		UL94V2
P/N	PART NAME	Q'TY	MATERIAL		PLATING	REMARKS

PANSTRONG COMPANY LTD.				DRAWN BY		TOMMY
				CHECKED		TOMMY
TITLE:		DIN 14P PLUG		APPROVED		CAROL
PART NO:		DN14M01N-K-AG-A		DRAWING NO.		
SCALE	/	REV	A	UNIT	mm	