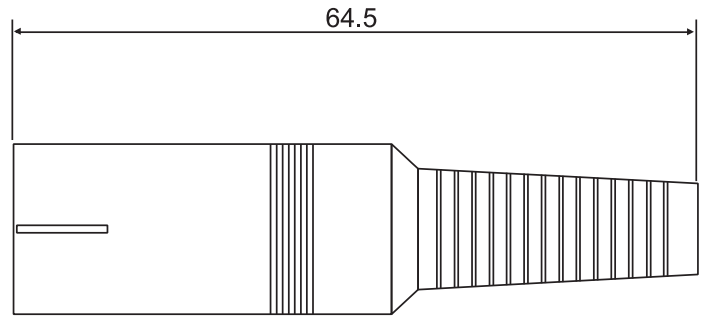
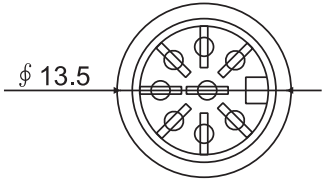
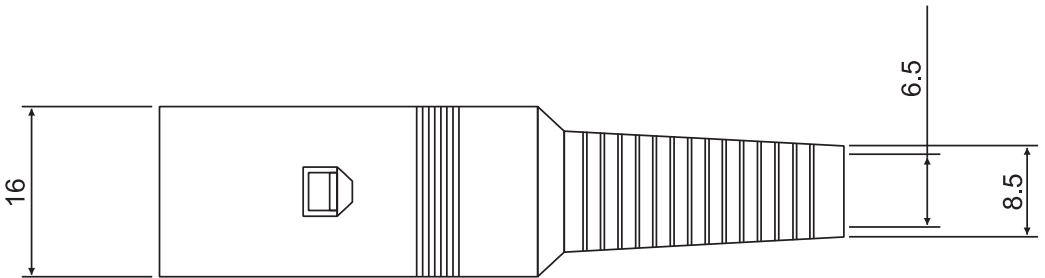


REV	DESCRIPTION	DATE
A	Initial Release	06'.03.08



Specifications
rating:
100V AC 1A MAX
contact resistance:
pins-30mΩ MAX; shell-50mΩ MAX
insulation resistance:
MIN 100 MEGΩ @500V DC
voltage withstand:
250V AC R.M.S. for 1 minute



DN3F01KN-AE	DN4F01KN-AE	DN5F01KN-AE	DN5F01KN-AE	DN5F01KN3-AE	DN6F01KN-AE	DN7F01KN-AE	DN8F01KN-AE	DN8F01KN2-AE

PANSTRONG COMPANY LTD.				DRAWN BY		TOMMY			
				CHECKED		TOMMY			
TITLE:		DIN JACK ASS'Y TYPE				APPROVED		CAROL	
PART NO:		DN * F01KN-AE				DRAWING NO.			
SCALE		/	REV	A	UNIT	mm			