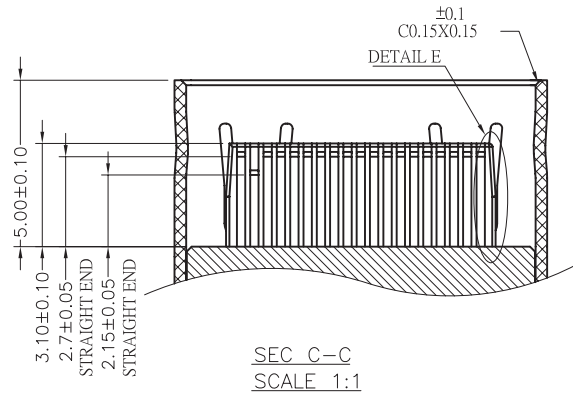
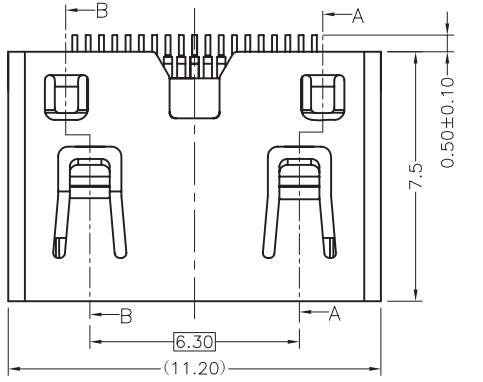


REV	DESCRIPTION	DATE
A	Initial Release	07'.03.12

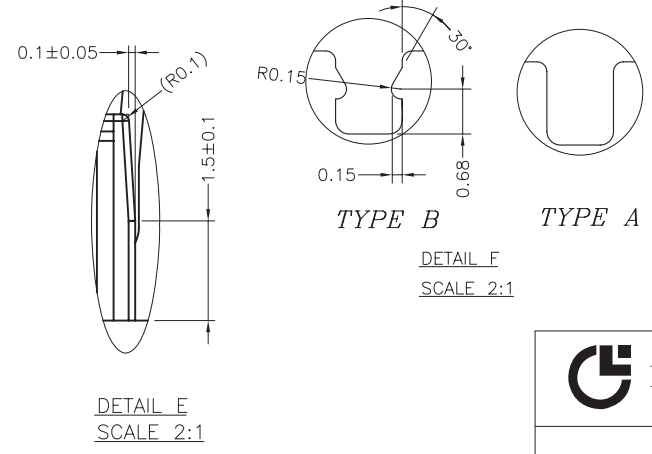
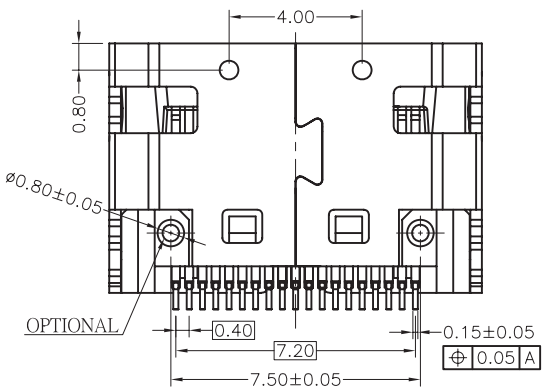
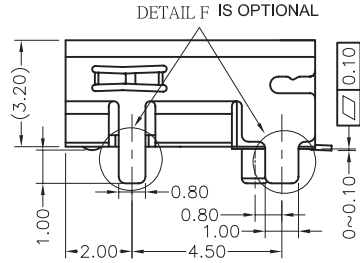
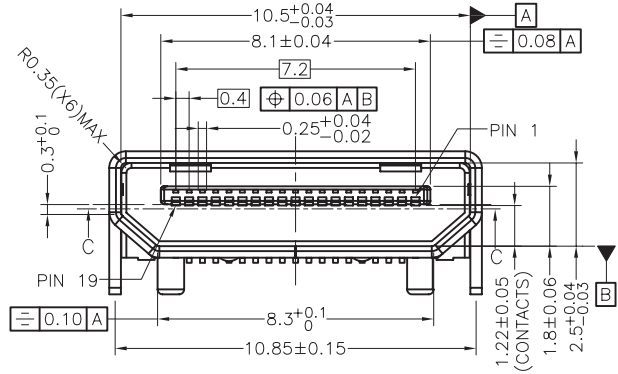


Ordering Information:

MHI  $\frac{03R}{12}$  -  $\frac{19}{3}$   $\frac{F}{4}$   $\frac{K}{5}$   $\frac{30}{6}$   $\frac{A}{7}$   $\frac{1}{8}$

MHI:Micro HDMI® Connectors:

- 03 : SMT Type
- R : Right Angle Type
- Number of Contacts:  
19 : 19 Pins
- Connector Type  
F : Socket
- Color of Housing:  
K : Black Meterial LCP
- Plating on Contact Pins:  
Material : Phorphor Bronze  
01 : Gold Flash over 30u" Nickel Underplating  
15 : 15u" Gold in Front Contacts and Gold Flash in Solder Area  
30 : 30u" Gold in Front Contacts and Gold Flash in Solder Area
- Metal Board Lock Type  
A or B refer to the drawing
- Locating Posts:  
0 : Without 1 : With



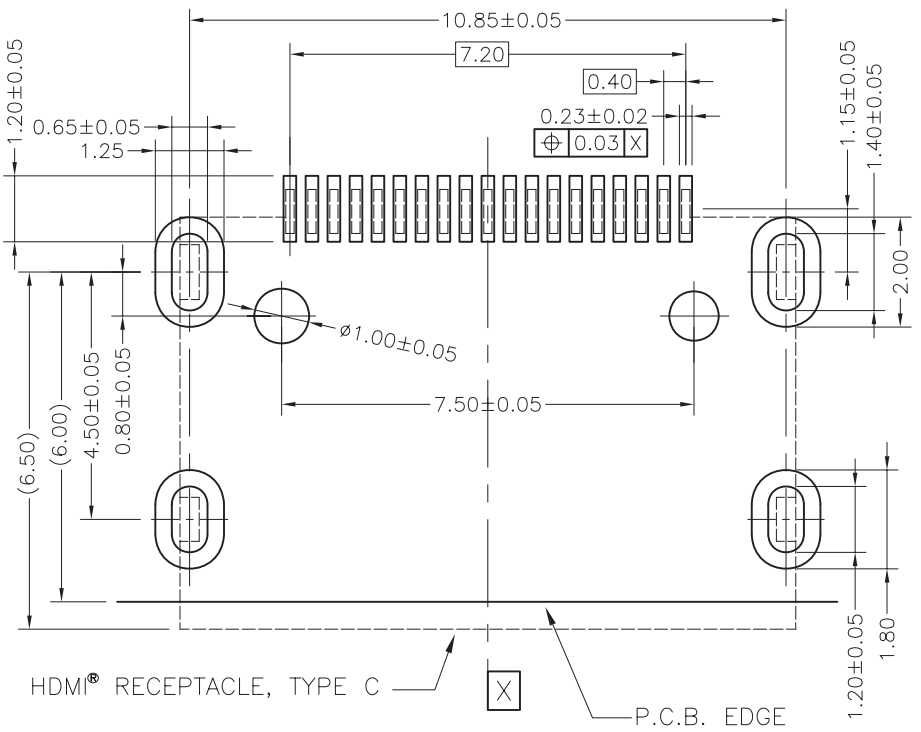
*RoHS Compliant*

(The terms HDMI, HDMI High-Definition Multimedia Interface, HDMI Trade dress and the HDMI Logos are trademarks or registered trademarks of HDMI Licensing Administrator, Inc.)

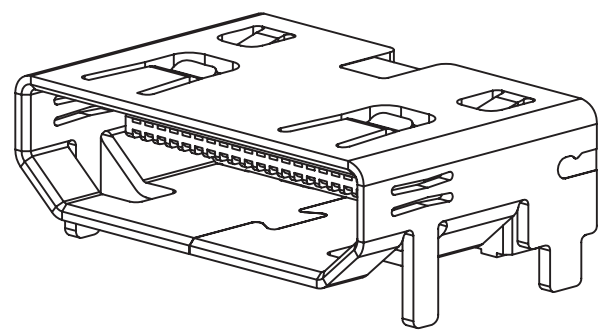
TOLERANCE UNSPECIFIED	±
...	±0.15
...	±0.20
...	±0.30
ANGLE	± 1°

PANSTRONG COMPANY LTD.				DRAWN BY		TOMMY	
				CHECKED			
TITLE:		HDMI® RECEPTACLE, TYPE C PITCH 0.40 SMT TYPE				APPROVED	
PART NO:		MHI03R-19FK30A1				DRAWING NO.	
SCALE		1:1	REV	A	UNIT	mm	

7	8	9	10	11
REV	DESCRIPTION			DATE
A	Initial Release			07'.03.12



RECOMMENDED PCB LAYOUT



*RoHS Compliant*

**SPECIFICATIONS**

- OPERATING CURRENT: 0.5A MAX.
- OPERATION TEMPERATURE: -25°C TO +85°C
- DIELECTRIC WITHSTANDING VOLTAGE:
  - 500Volts AC BETWEEN ADIACENT TERMINAL(UNMATE )
  - 300Volts AC BETWEEN ADIACENT TERMINAL(MATE )
- INSULATION RESISTANCE:
  - 100Mohm MIN.(UNMATED);10Mohm MIN.(MATED)

(The terms HDMI, HDMI High-Definition Multimedia Interface, HDMI Trade dress and the HDMI Logos are trademarks or registered trademarks of HDMI Licensing Administrator, Inc.)

TOLERANCE UNSPECIFIED	±
· · ·	±0.15
· ·	±0.20
·	±0.30
ANGLE	± 1°

PANSTRONG COMPANY LTD.				DRAWN BY		TOMMY	
				CHECKED			
TITLE:		HDMI® RECEPTACLE, TYPE C PITCH 0.40 SMT TYPE				APPROVED	
PART NO:		MHI03R-19FK30A1				DRAWING NO.	
SCALE		1:1	REV	A	UNIT	mm	