

REV	DESCRIPTION	DATE
2.0	△ UPDATE INITIAL DATE CODE	11'.07.05
2.1	△ ADD NEW DATE CODE FORMAT	12'.03.06
2.2	△ PIN AND METAL SHELL LENGTH TOLERANCE	12'.04.30

### SPECIFICATIONS

SPECIFICATIONS  
 OPERATING CURRENT: 0.5A MAX.  
 OPERATION TEMPERATURE: -25°C TO +85°C  
 DIELECTRIC WITHSTANDING VOLTAGE:  
 500Volts AC BETWEEN ADIACENT TERMINAL(UNMATE )  
 300Volts AC BETWEEN ADIACENT TERMINAL(MATE )  
 INSULATION RESISTANCE:  
 100Mohm MIN.(UNMATED);10Mohm MIN.(MATED)


### ORDERING INFORMATION:

HIS2- 19 F X2 01 K 30 - A P  
 1 2 3 4 5 6 7 8

### HDMI® WITH SCREW FLANGE:

- NUMBER OF CONTACT  
19:19 POSITIONS
- CONNECTING TYPE  
F: FEMALE(SOCKET)
- X2 DOUBLE DECK  
4. PROCESSING TYPE  
01: THROUGH HOLE & RIGHT ANGLE
- INSULATOR COLOR  
K: BLACK COLOR
- CONTACT PLATING  
15: 15u" GOLD OVER NICKEL  
30: 30u" GOLD OVER NICKEL
- SHELL STRUCTURE:  
4x THROUGH HOLE SUPPORT PINS  
AND TOP SPRINGS
- DATE CODE  
BLANK: NONE  
REFER TO THE DRAWING

(The terms HDMI, HDMI High-Definition Multimedia Interface, HDMI Trade dress and the HDMI Logos are trademarks or registered trademarks of HDMI Licensing Administrator, Inc.)

 <b>PANSTRONG COMPANY LTD.</b>		DRAWN BY		TOMMY	
		CHECKED		TOMMY	
TITLE:		DAUL HDMI® STACKED CONNECTOR THROUGH HOLE TYPE		APPROVED	CAROL
PART NO:		HIS2-19FX201K		DRAWING NO.	
SCALE	1:1	REV	2.2	UNIT	mm

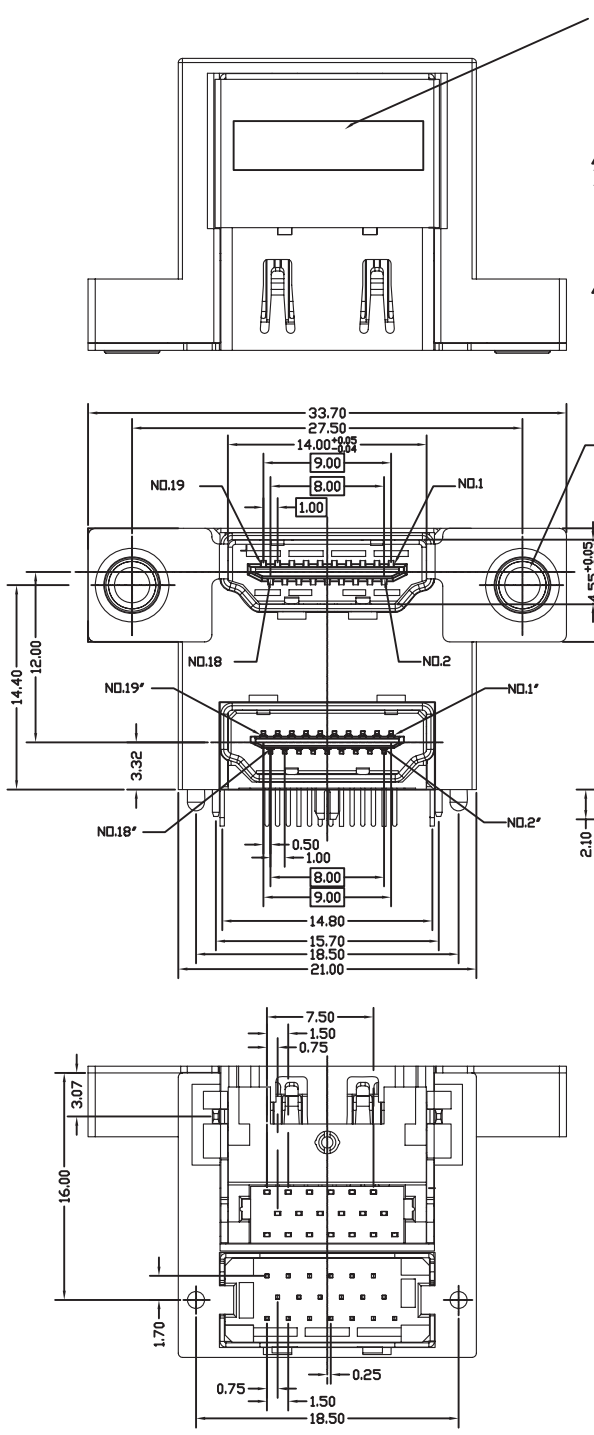
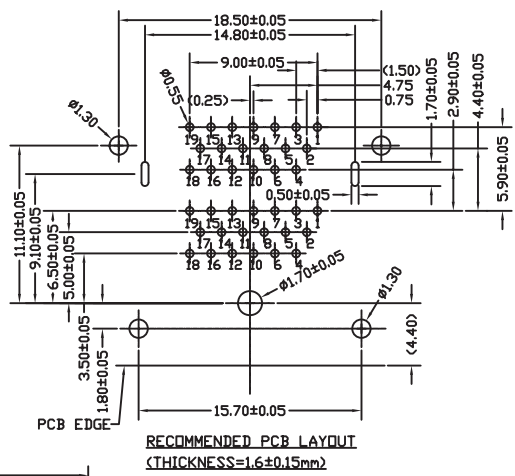
TOLERANCE UNLESS SPECIFIED	
+	±0.25
.	±0.38
∠	± 1°

RoHS Compliant

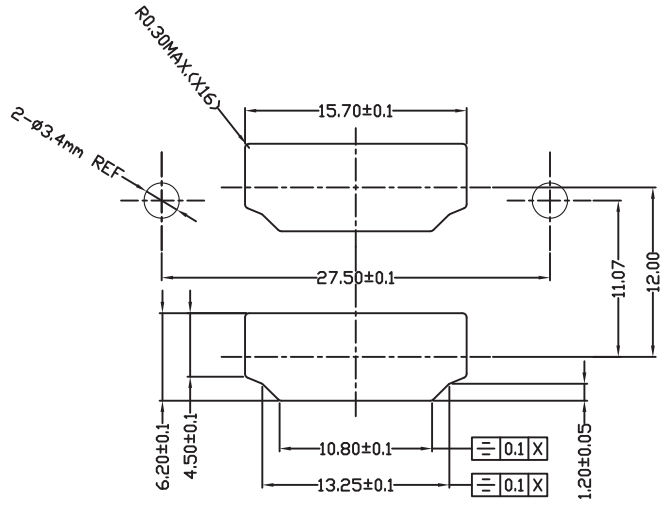
DATE CODE:(P)  
 MMDD YY'  
 YEAR  
 DATE  
 MONTH

△ DATE CODE:(W)  
 YY WW  
 WEEK  
 YEAR

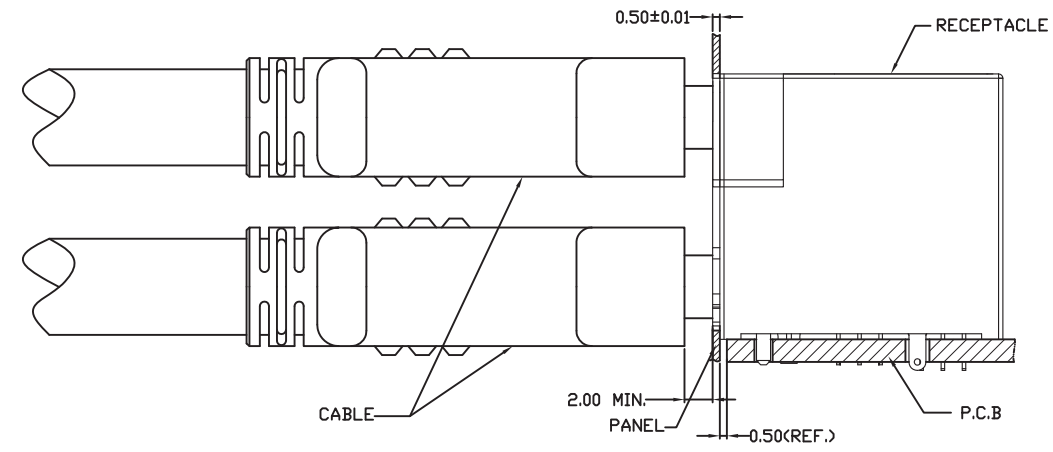
△ DATE CODE:(K)  
 YY WW K  
 WEEK  
 YEAR



REV	DESCRIPTION	DATE
2.0	△ UPDATE INITIAL DATE CODE	11'.07.05
2.1	△ ADD NEW DATE CODE FORMAT	12'.03.06
2.2	△ PIN AND METAL SHELL LENGTH TOLERANCE	12'.04.30




△ REFERENCE PANEL CUT OUT DIMENSION



REFERENCE MOUNT DIMENSION

(The terms HDMI, HDMI High-Definition Multimedia Interface, HDMI Trade dress and the HDMI Logos are trademarks or registered trademarks of HDMI Licensing Administrator, Inc.)

TOLERANCE UNLESS SPECIFIED	
∅	±0.25
∅	±0.38
∠	± 1°

 <b>PANSTRONG COMPANY LTD.</b>				DRAWN BY		TOMMY							
				CHECKED		TOMMY							
TITLE:		DAUL HDMI® STACKED CONNECTOR THROUGH HOLE TYPE				APPROVED		CAROL					
PART NO:		HIS2-19FX201K				DRAWING NO.							
SCALE		1:1		REV		2.2		UNIT		mm		