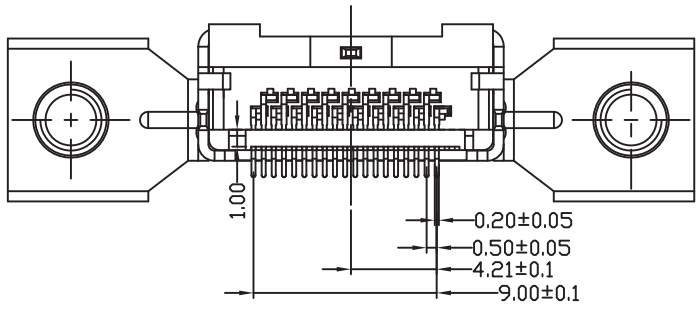
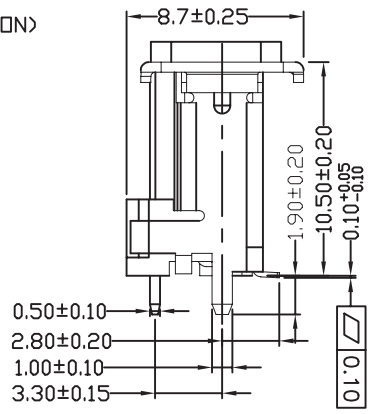
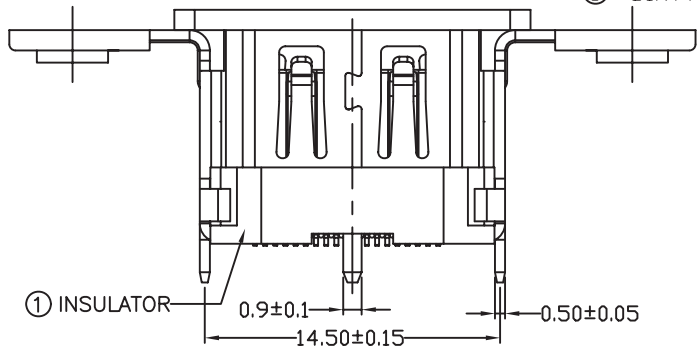
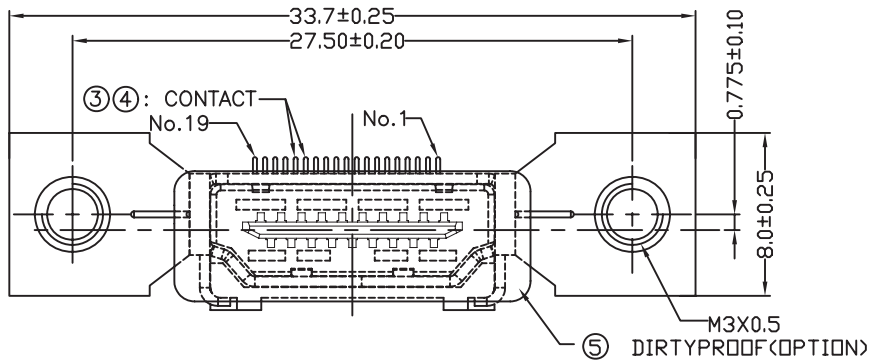
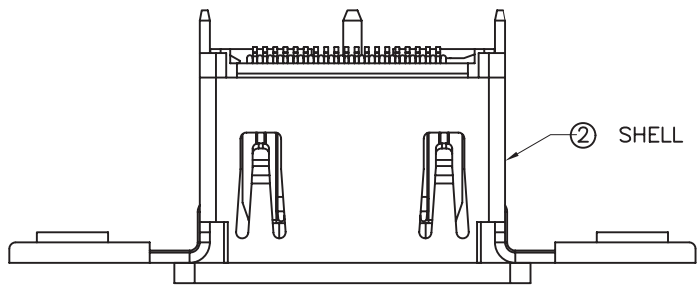


REV	DESCRIPTION	DATE
A	Initial Release	12.02.17



(The terms HDMI, HDMI High-Definition Multimedia Interface, HDMI Trade dress and the HDMI Logos are trademarks or registered trademarks of HDMI Licensing Administrator, Inc.)

TOLERANCE UNSPECIFIED	
±	±0.25
±	±0.38
±	±1°
ANGLE	±1°

ORDERING INFORMATION:

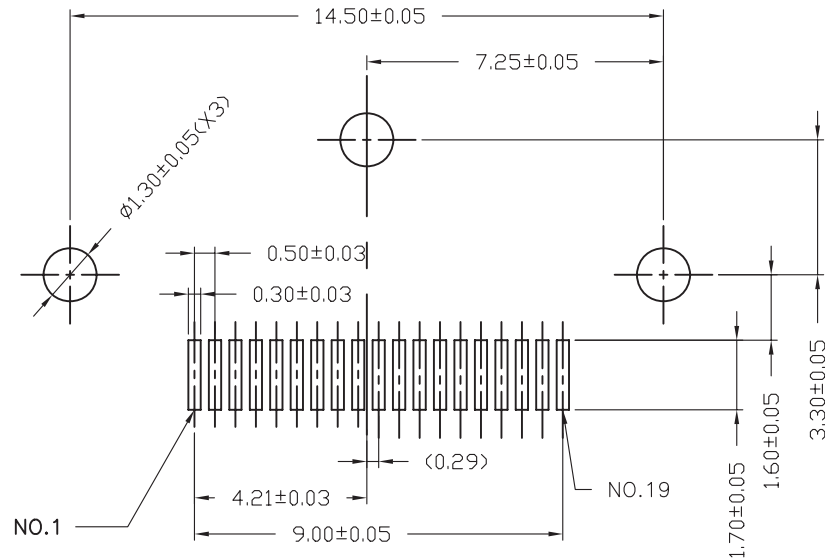
HIS2- 19 F 03 02 K \*\* B - 2 R  
 1. 2. 3. 4. 5. 6. 7. 8.

HDMI® WITH SCREW FLANGE:

- 1.NUMBER OF CONTACT  
19 : 19 POSITIONS
- 2.CONNECTING TYPE  
F : FEMALE(SOCKET)
- 3.PROCESSING TYPE  
03 : SMT
- 4.CONNECTING DIRECTION  
02 : Vertical / Top Entry.
- 5.INSULATOR COLOR  
K : BLACK COLOR.
- 6.CONTACT PLANTING  
01...30u" GOLD OVER NICKEL
- 7.B: with Dust Cover  
Blank: without Dust Cover
- 8.Package:  
R: Tape & Reel

PANSTRONG COMPANY LTD.				DRAWN BY	TOMMY
				CHECKED	TOMMY
TITLE:	HDMI® 19PIN RECEPTACLE, VERTICAL SMT			APPROVED	CAROL
PART NO:	HIS2-19F0302Kxx			DRAWING NO.	
SCALE	1:1	REV	A	UNIT	mm

REV	DESCRIPTION	DATE
A	Initial Release	12.02.17



RECOMMENED P.C.B. LAYOUT(T=1.6mm)

REMARKS:

1. MATERIAL:

1.1 INSULATOR: THERMOPLASTIC UL 94V-0 RATED

1.2 CONTACT: COPPER ALLOY

1.3 SHELL: COPPER ALLOY

2. PLATING:

2.1 CONTACT:

GOLD PLATED OVER NICKEL ON CONTACT AREA AND 100u" MIN. TIN PLATED OVER NICKEL ON SOLDER TAILS


2.2 SHELL:

SOLDERABLE NICKEL PLATED OVER NICKEL

3.THIS PART SHOULD CONTAIN ANY SUBSTANCES WHICH ARE SPECIFIED IN KOA-2V03

4.CONTACT RETAIN FORCE:0.3KG MIN

1	POLYIMIDE :7X12(mm)	HONGHUI	FILM	6
1	THERMOPLASTIC	KINGFA	DIRTYPROOF	5
10	COPPER ALLOY,T=0.25mm	TONGXIANG	SHORT CONTACT	4
9	COPPER ALLOY,T=0.25mm	TONGXIANG	LONG CONTACT	3
1	COPPER ALLOY,T=0.50mm	TONGXIANG	SHELL	2
1	THERMOPLASTIC	KINGFA	INSULATOR	1
QTY'S	SPECIFICATION	SUPPLIER	PART	ITEM

 PANSTRONG COMPANY LTD.		DRAWN BY	TOMMY
		CHECKED	TOMMY
TITLE:	HDMI <sup>®</sup> 19PIN RECEPTACLE, VERTICAL SMT	APPROVED	CAROL
PART NO:		DRAWING NO.	
SCALE	1:1	REV	A
	UNIT	mm	