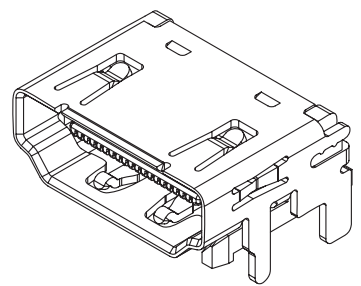
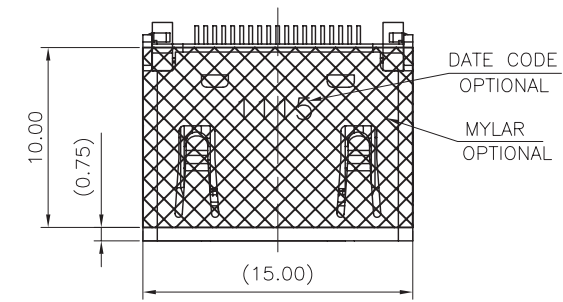
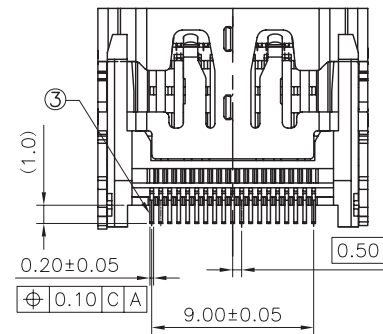
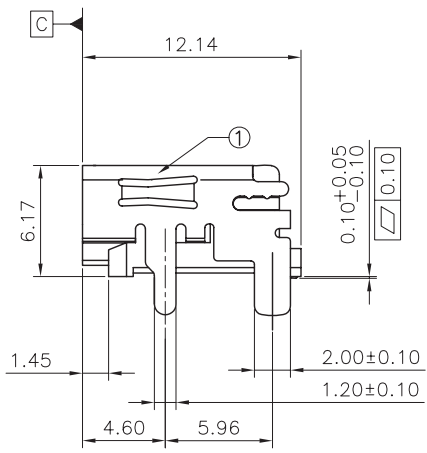
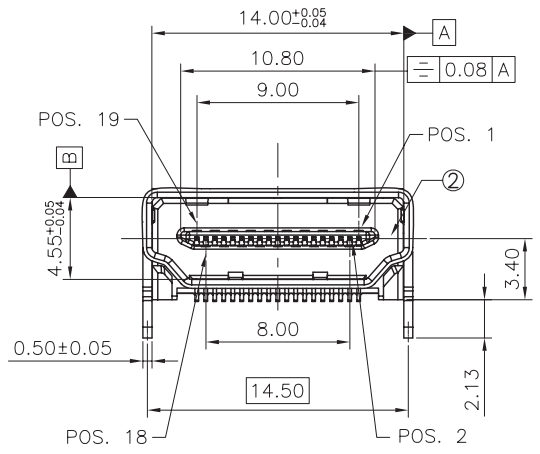


REV	DESCRIPTION	DATE
A	Initial Release	11.11.30



Part No.
 HI - $\frac{03}{1}$ $\frac{R}{2}$ $\frac{19}{3}$ $\frac{F}{4}$ $\frac{K}{5}$ $\frac{xx}{6}$ $\frac{A2}{7}$ $\frac{B}{8}$ $\frac{x}{9}$ - $\frac{M}{10}$

- Processing Type
03: SMT
- Insertion Type
R: Right Angle
- Number of Contact:
19: 19 Pins
- Contact Type:
F: Female(Socket)
- Insulator Color:
K: Black
- Contact Plating:
01: Flash Gold
15: 15u" Selective Gold
30: 30u" Selective Gold
- Metal Shell Construction:
A: with Top Springs and 4xThrough Hole Support Pins
A2: with Top and Side Springs and 4xThrough Hole Support Pins
C: with Top Springs and 4xSMT Support Pads
C2: with Top and Side Springs and 4xSMT Pads
- Shell Material(Suffix No. 1)
Blank: Phosphorous Bronze
B: Brass
S: SPCC
- Suffix No. 2
Blank: without Kapton Mylar Tape
M: with Kapton Mylar Tape
- CONTACT PINS: INSERT MOLDED TYPE



11 15
 WEEKS
 YEARS
 DATE CODE

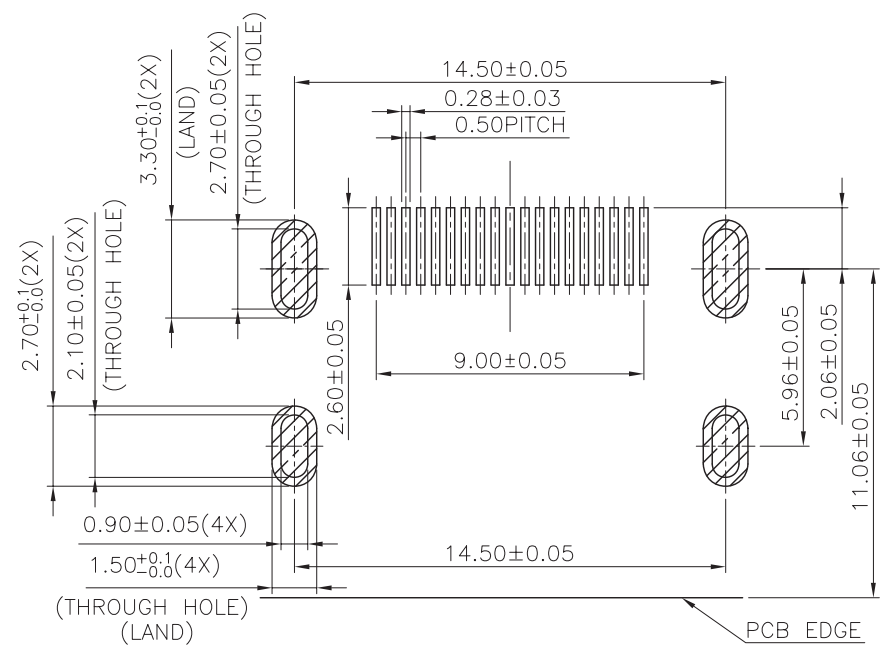
ROHS COMPLIANCE

(The terms HDMI, HDMI High-Definition Multimedia Interface, HDMI Trade dress and the HDMI Logos are trademarks or registered trademarks of HDMI Licensing Administrator, Inc.)

TOLERANCE UNSPECIFIED:	± 0.15
.00	± 0.20
.0	± 0.30
.0	±
ANGLE	± 1°

PANSTRONG COMPANY LTD.		DRAWN BY	TOMMY
		CHECKED	TOMMY
TITLE:	HDMI® TYPE A RECEPTACLE CONNECTOR SMT TYPE	APPROVED	CAROL
PART NO:	HI-03R19FKxxA2Bx-M	DRAWING NO.	
SCALE	1:1	REV	A
		UNIT	mm

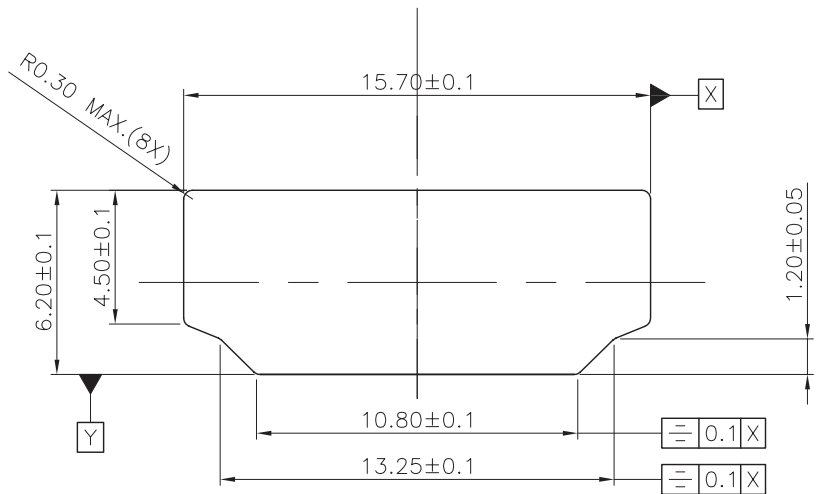
REV	DESCRIPTION	DATE
A	Initial Release	11.11.30



RECOMMENDED P.C.B. LAYOUT (T:1.20mm)
TOLERANCE UNSPECIFIED ±0.05mm

SPECIFICATIONS:

1. MECHANICAL:
 - 1.1 INSERTION FORCE: 44.1 N MAX.
 - 1.2 WITHDRAWAL FORCE: 9.8 N MIN.
2. ELECTRICAL:
 - 2.1 CONTACT CURRENT RATING: 0.5A MIN.
 - 2.2 VOLTAGE RATING: 40V AC(RMS)
 - 2.3 WITHSTANDING VOLTAGE:
 - 500VOLTS AC BETWEEN ADIACENT TERMINAL(UNMATE)
 - 300VOLTS AC BETWEEN ADIACENT TERMINAL(MATE)
 - 2.4 INSULATION RESISTANCE:
 - 100MOHM MIN.(UNMATED); 10MOHM MIN.(MATED)
 - 2.5 CONTACT RESISTANCE: 30 MILLIOHMS MAX.
3. ENVIRONMENTAL:
 - 3.1 OPERATING TEMPERATURE: -25° C TO +85° C



RECOMMENDED PANEL CUT OUT DIMENSION

(The terms HDMI, HDMI High-Definition Multimedia Interface, HDMI Trade dress and the HDMI Logos are trademarks or registered trademarks of HDMI Licensing Administrator, Inc.)

19	COPPER ALLOY	CONTACT	③
1	THERMOPLASTIC UL94V-0	HOUSING	②
1	COPPER ALLOY	SHELL	①
QTY'S	SPECIFICATION	PART	ITEM

ROHS COMPLIANCE

PANSTRONG COMPANY LTD.		DRAWN BY	TOMMY
		CHECKED	TOMMY
TITLE:	HDMI® TYPE A RECEPTACLE CONNECTOR SMT TYPE	APPROVED	CAROL
PART NO:	HI-03R19FKxxA2Bx-M	DRAWING NO.	
SCALE	1:1	UNIT	mm
REV	A		

TOLERANCE UNSPECIFIED:	
.000	± 0.15
.00	± 0.20
.0	± 0.30
ANGLE	± 1°