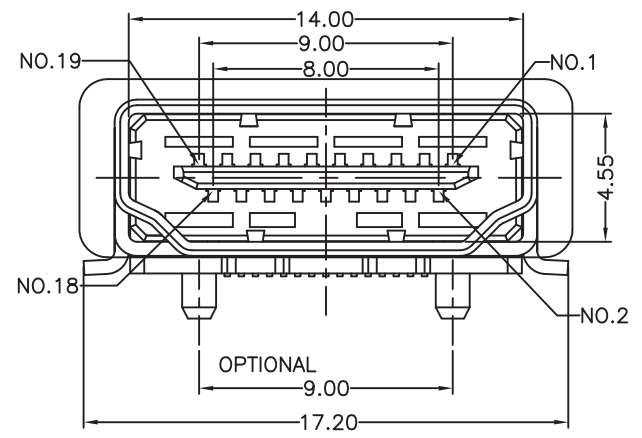
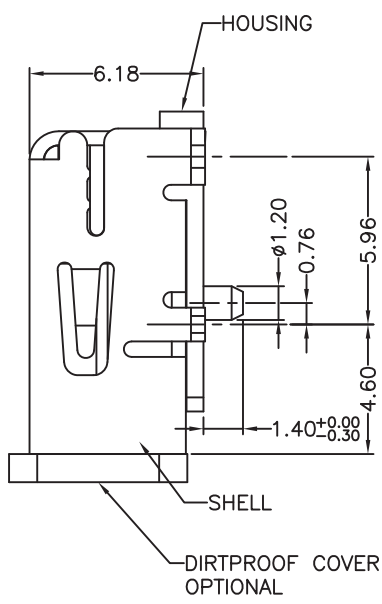
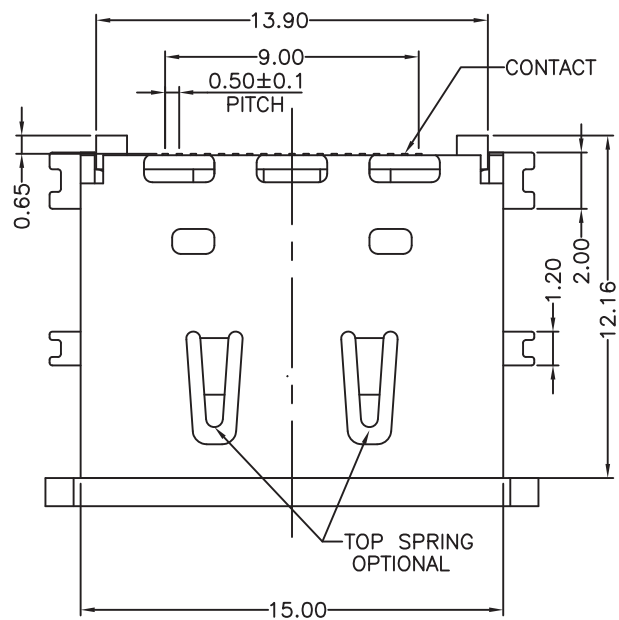


REV	DESCRIPTION	DATE
A	Initial Release	10.11.10



LEAD FREE

TOLERANCE UNLESS SPECIFIED	±0.25
	±0.38
ANGLE	±2°

ORDER INFORMATION

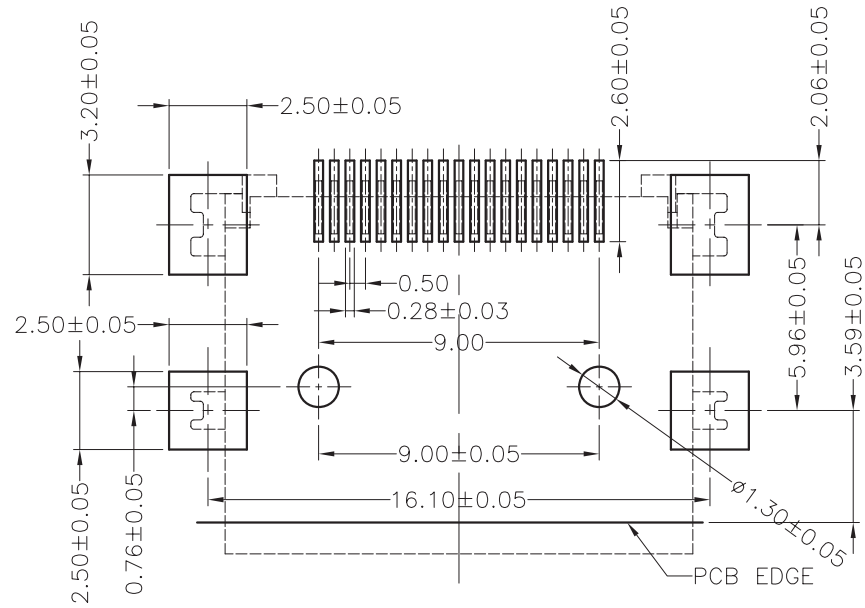
HI - 19 F 03 01 K 30 C B G M R  
 1 2 3 4 5 6 7 8 9 10 11

- Number of Contact:  
19: 19 Pins
- Contact Type:  
F: Female (Socket)
- Processing Type  
03: SMT
- Insertion Type  
01: Right Angle
- Insulator Color:  
K: Black
- Contact Plating:  
01: Flash Gold  
15: 15u" Selective Gold  
30: 30u" Selective Gold
- Metal Shell Construction:  
A: with Top and Side Springs and 4 x Through Hole Support Pins  
B: without Top and Side Springs, with 4 x Through Hole Support Pins  
C2: with Top and Side Springs and 4 x SMT Pads
- None: Shell Material is SPCC  
Blank: Phosphorous Bronze  
B: Brass  
S: SPCC
- Shell Plating(Suffix No. 2)  
Blank: Nickel  
G: Flash Gold
- Suffix No. 3  
Blank: without Kapton Mylar Tape  
M: with Kapton Mylar Tape
- Package(Suffix No. 4)  
Blank: PVC Trays  
R: Tape & Reel

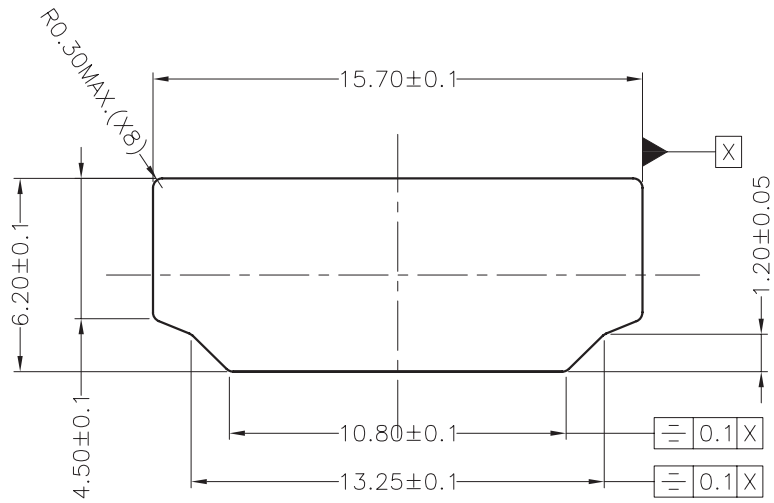
(The terms HDMI, HDMI High-Definition Multimedia Interface, HDMI Trade dress and the HDMI Logos are trademarks or registered trademarks of HDMI Licensing Administrator, Inc.)

PANSTRONG COMPANY LTD.				DRAWN BY		TOMMY	
				CHECKED		TOMMY	
TITLE: HDMI® RECEPTACLE SMT TYPE WITHOUT FLANGE 19 PIN				APPROVED		CAROL	
				DRAWING NO.			
PART NO: HI-19F0301KxxC2				UNIT	mm		
SCALE		1:1	REV	A			

REV	DESCRIPTION	DATE
A	Initial Release	10.11.10



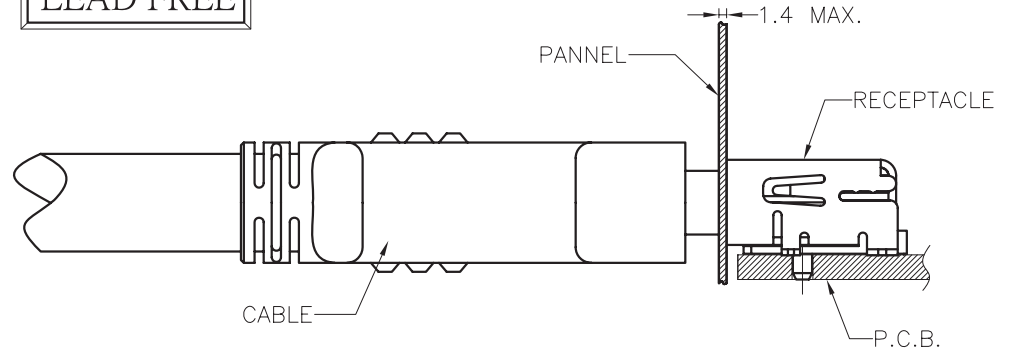
RECOMMENDED PCB LAYOUT (THICKNESS=1.6±0.15mm)



REFERENCE PANEL CUT OUT DIMENSION

(The terms HDMI, HDMI High-Definition Multimedia Interface, HDMI Trade dress and the HDMI Logos are trademarks or registered trademarks of HDMI Licensing Administrator, Inc.)

LEAD FREE



REFERENCE MOUNT DIMENSION

REMARKS:

1. MATERIAL:
  - 1.1 HOUSING: HIGH TEMPERATURE THERMOPLASTIC  
UL 94V-0 RATED.
  - 1.2 CONTACT: COPPER ALLOY
2. PLATING:
  - 2.1 CONTACT:  
GOLD PLATED OVER NICKEL ON CONTACT AREA  
AND 100u" MIN. TIN PLATED OVER NICKEL  
ON SOLDER TAILS
  - 2.2 SHELL:  
TIN PLATED OVER NICKEL OR NICKEL PLATED



PANSTRONG COMPANY LTD.

DRAWN BY TOMMY

CHECKED TOMMY

APPROVED CAROL

DRAWING NO.

TITLE:

HDMI® RECEPTACLE  
SMT TYPE  
WITHOUT FLANGE 19 PIN

PART NO:

HI-19F0301KxxC2

SCALE

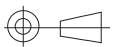
1:1

REV

A

UNIT

mm



TOLERANCE UNLESS SPECIFIED	
±	±0.25
±	±0.38
±	±2°

PANSTRONG COMPANY LTD.				DRAWN BY	TOMMY
				CHECKED	TOMMY
				APPROVED	CAROL
				DRAWING NO.	
TITLE:	HDMI® RECEPTACLE SMT TYPE WITHOUT FLANGE 19 PIN			UNIT	mm
PART NO:	HI-19F0301KxxC2				
SCALE	1:1	REV	A		