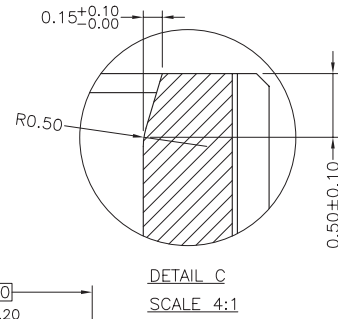
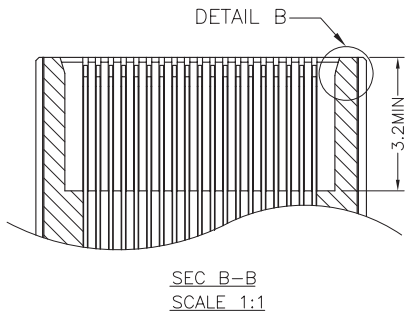
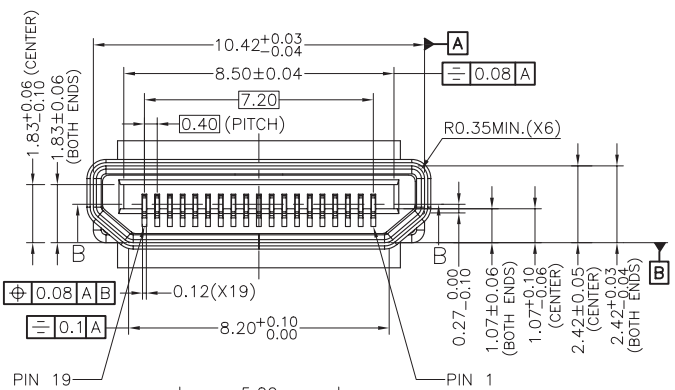
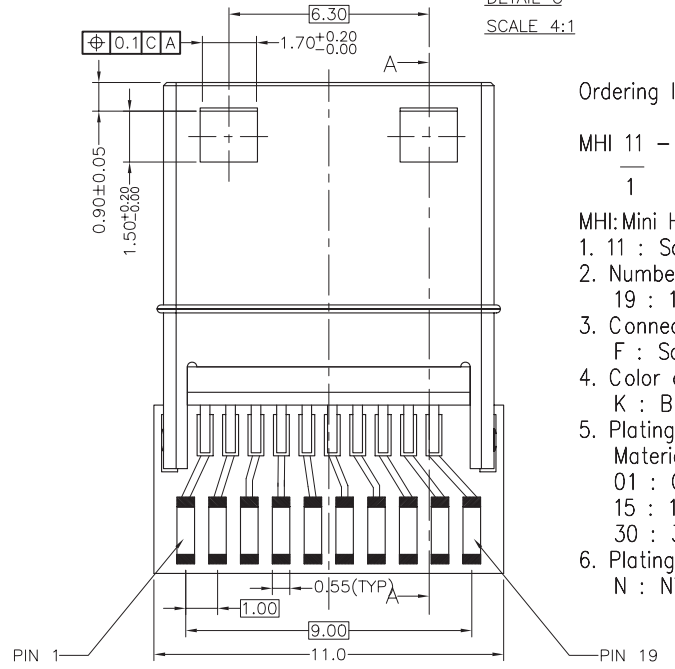
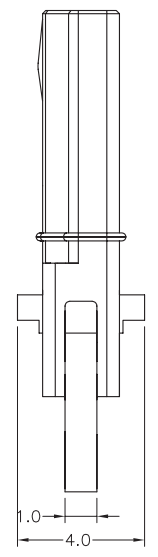
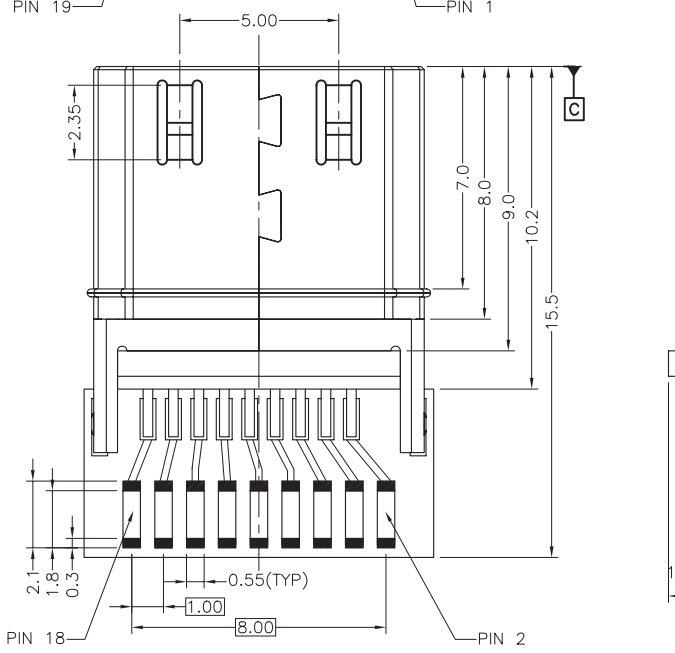


| | | |
|-----|-----------------|----------|
| REV | DESCRIPTION | DATE |
| A | Initial Release | 06.09.08 |



SPECIFICATIONS

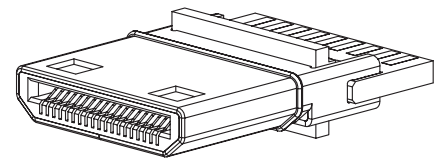
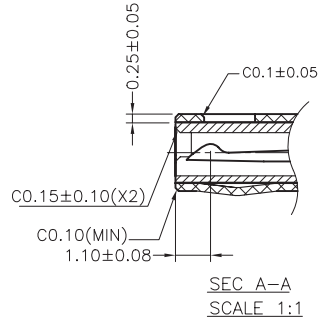
SPECIFICATIONS
 OPERATING CURRENT: 0.5A MAX.
 OPERATION TEMPERATURE: -25°C TO +85°C
 DIELECTRIC WITHSTANDING VOLTAGE:
 500Volts AC BETWEEN ADIACENT TERMINAL(UNMATE)
 300Volts AC BETWEEN ADIACENT TERMINAL(MATE)
 INSULATION RESISTANCE:
 100Mohm MIN.(UNMATED);10Mohm MIN.(MATED)



Ordering Information:

MHI 11 - 19 M K 30 G
 1 2 3 4 5 6

- MHI:Mini HDMI® Connectors:
 1. 11 : Solder Type for Wires
 2. Number of Contacts:
 19 : 19 Pins
 3. Connector Type
 F : Socket
 4. Color of Housing:
 K : Black Material LCP
 5. Plating on Contact Pins:
 Material : Phorphor Bronze
 01 : Gold Flash over 30u" Nickel Underplating
 15 : 15u" Gold in Front Contacts and Gold Flash in Solder Area
 30 : 30u" Gold in Front Contacts and Gold Flash in Solder Area
 6. Plating on Shell:
 N : Nickel G : Gold Flash



RoHS Compliant

| | |
|-----------------------|-------|
| TOLERANCE UNSPECIFIED | ± |
| ... | ±0.20 |
| ... | ±0.30 |
| ... | ±0.40 |
| ANGLE | ± 1° |

(The terms HDMI, HDMI High-Definition Multimedia Interface, HDMI Trade dress and the HDMI Logos are trademarks or registered trademarks of HDMI Licensing Administrator, Inc.)

| | | | | | | | | | | | |
|----------|--|---|--|----------|--|-------------|--|-------|--|----|--|
| | | | | DRAWN BY | | TOMMY | | | | | |
| | | | | CHECKED | | TOMMY | | | | | |
| TITLE: | | HDMI® PLUG TYPE C PITCH 0.40 SOLDER TYPE | | | | APPROVED | | CAROL | | | |
| PART NO: | | MH11-19MK30G | | | | DRAWING NO. | | | | | |
| SCALE | | 1:1 | | REV | | A | | UNIT | | mm | |
| | | | | | | | | | | | |