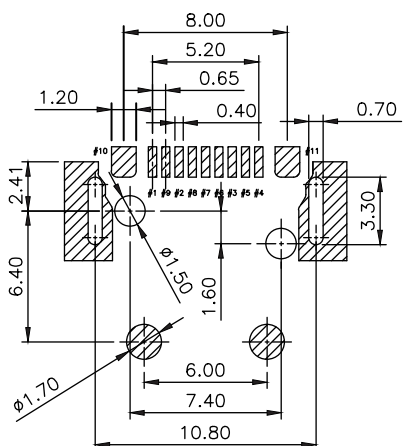
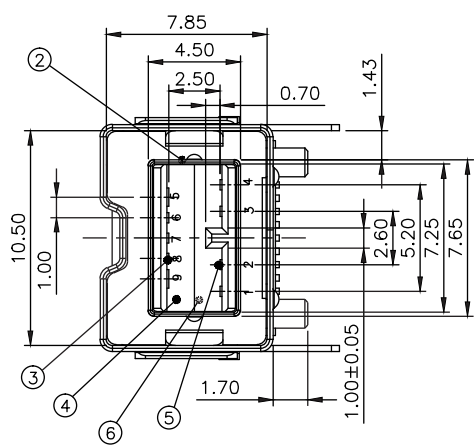
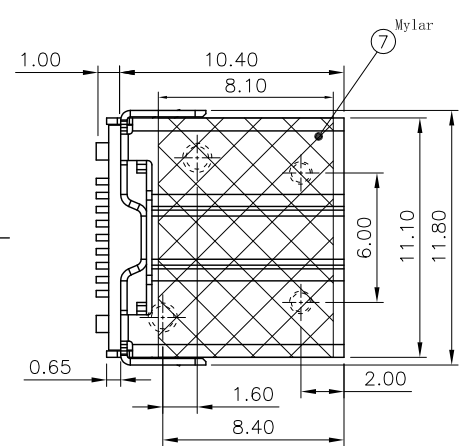
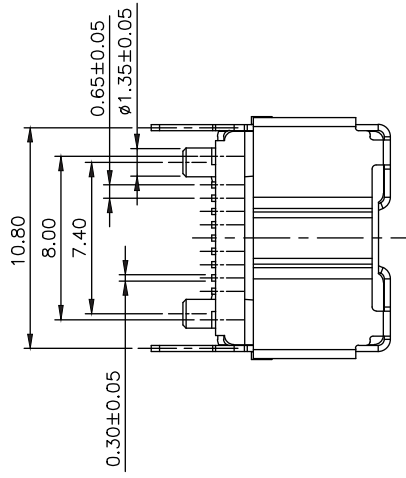
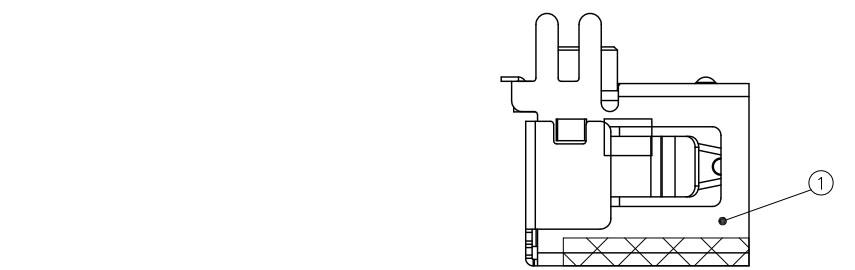
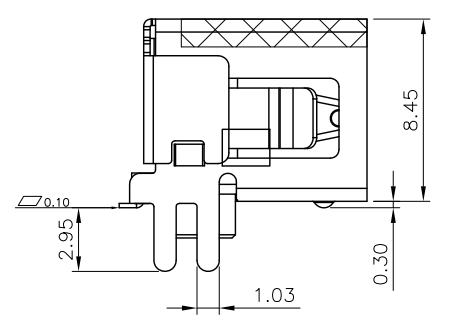


| REV | DESCRIPTION | DATE |
|-----|-----------------|----------|
| A | Initial Release | 08:11:25 |
| B | Increase Mylar | 21:06:08 |

- Specifications:
- 1.Current Rating:0.5A at 40V AC.
 - 2.Withstanding Voltage:100V AC for one minute.
 - 3.Insulation Resistance:100MΩ Min.
 - 4.Contact Resistance:50mΩ Max.
 - 5.Mating Force:3.98kgf Max.
 - 6.Unmating Force:1.02kgf Min.
 - 7.Operating temperature : -25° C to 85° C



Recommended P.C.B Layout



| NO. | DESCRIPTION | MATERIAL | COLOR | REMARK |
|-----|-------------|----------------|-------|---------------|
| 7 | MYLAR | L*W=14.0*8.1mm | | |
| 6 | 4P HOUSING | LCP | BLACK | UL 94V-0 |
| 5 | 4P CONTACT | C2680 | | GOLD 3u" |
| 4 | 5P HOUSING | LCP | BLACK | UL 94V-0 |
| 3 | 5P CONTACT | C2680 | | GOLD 3u" |
| 2 | INNER SHEEL | C2680 | | NICKEL PLATED |
| 1 | OUTER SHEEL | C2680 | | NICKEL PLATED |

RoHS Compliant

| Unless otherwise specified tolerances are | |
|---|-------|
| x.x | ±0.25 |
| x.xx | ±0.20 |
| x.xxx | ±0.15 |
| x" | ±2.0' |
| x.x" | ±1.0' |

| | | | | | | | |
|-------------------------------|--|----------------------|-----|----------|------|-------------|--|
| PANSTRONG COMPANY LTD. | | | | DRAWN BY | | TOMMY | |
| | | | | CHECKED | | | |
| TITLE: | | 1394 9PIN FEMALE SMT | | | | APPROVED | |
| PART NO: | | 1394b9F0301K03JL2MR | | | | DRAWING NO. | |
| SCALE | | 1:1 | REV | B | UNIT | mm | |