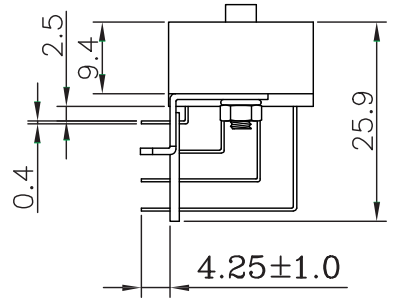
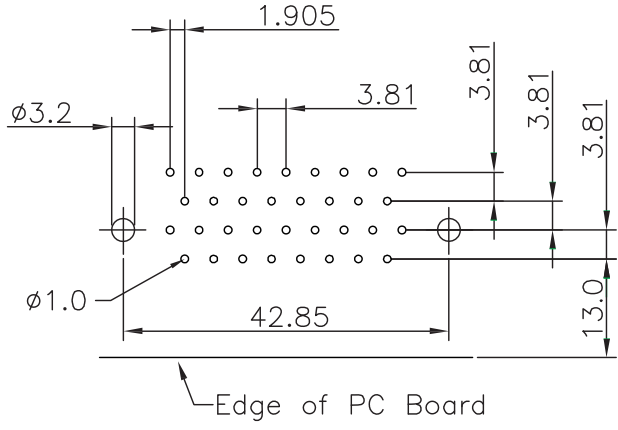
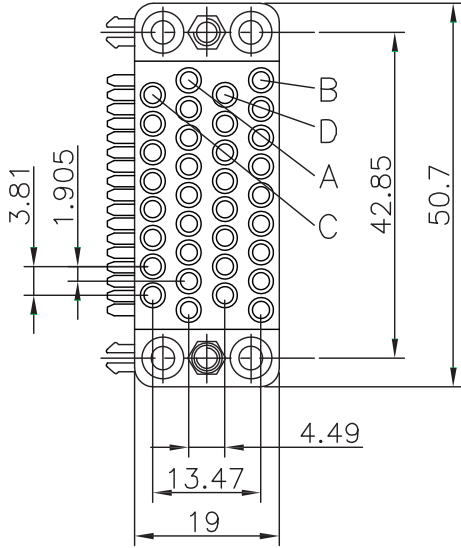
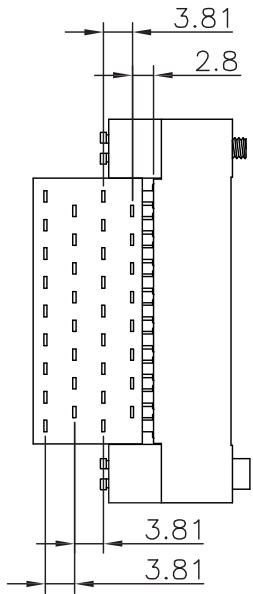


REV	DESCRIPTION	DATE
A	Initial Release	20.07.29



### MECHANICAL

**INSULATOR MATERIAL:**  
PBT & Glass-fibre reinforced  
UL-94-V0

**CONTACT:**  
Phosphor bronze

### ELECTRICAL

**CURRENT RATING:**  
7 Amp

**WITHSTANDING VOLTAGE:**  
AC 1200V Min. (for one minute)

**INSULATION RESISTANCE:**  
1000MΩ Min.(at 500V DC)

**CONTACT RESISTANCE:**  
10mΩ Max. mated

**WORKING TEMPERATURE:**  
-55° C to +105° C



PANSTRONG COMPANY LTD.

DRAWN BY TOMMY

CHECKED TOMMY

APPROVED CAROL

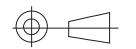
DRAWING NO.

TITLE: V.35 FEMALE RIGHT ANGLE  
LOW PROFILE  
PCB CONNECTOR

PART NO: V35F0101K-LP-2

SCALE X:1 REV A

UNIT mm



TOLERANCE:
0.000:
0.00 : ±0.20
0.0 : ±0.30
0. : ±0.40
ANGLE: ±3.0°