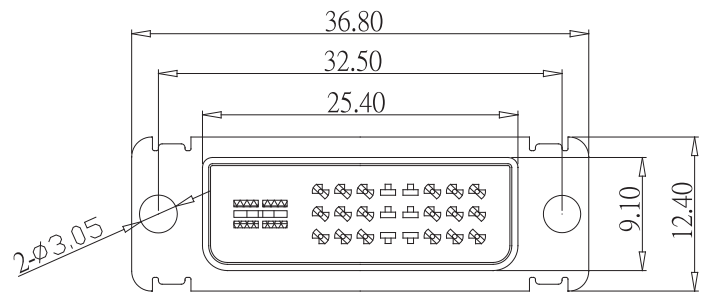


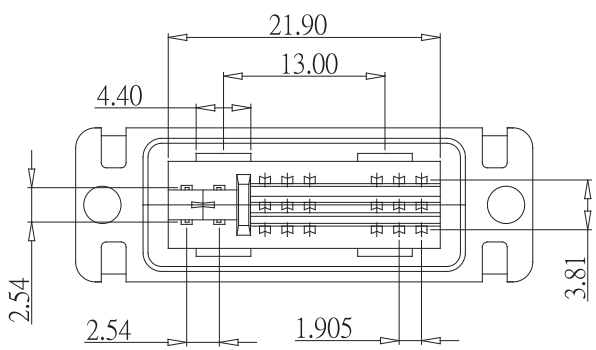
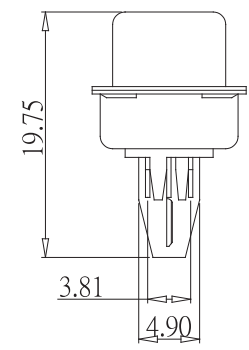
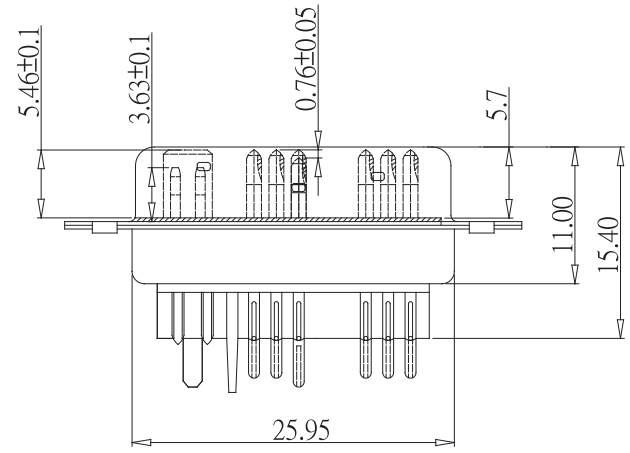
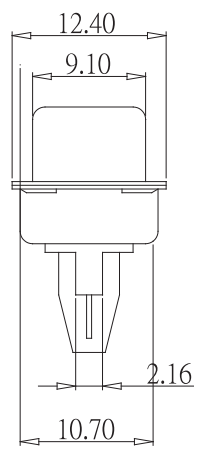
REV	DESCRIPTION	DATE
A	Initial Release	05.07.04



**MATEIALS**  
 1.HOUSING: PBT+25  
 2.TERMINAL: BRASS GOLD AND TIN PALTED  
 3.FRONT SHIELD: SPCC NICKEL PLATED  
 4.BACK SHIELD: SPCC TIN PLATING

DV 23 M 11 02 K 01  
 (1) (2) (3) (4) (5) (6)

- (1) PIN NUMBER  
 19 : 18+1  
 23 : 18+5  
 24 : 24+0  
 25 : 24+1  
 29 : 24+5  
 (2) M : Male Plug.  
 (3) 11 : Wire Solder .  
 (4) 02 : V ertical / Top Entry .  
 (5) Insulator Color  
 K : Black  
 W : White.  
 (6) Gold Plating on Contacts  
 01: Gold Flash.



				DRAWN BY		TOMMY			
				CHECKED		TOMMY			
TITLE:		DVI Male Connector, Analog/Digital 18+5 Pins for Cable Assembly				APPROVED		CAROL	
PART NO:		DV23M1102K01				DRAWING NO.			
SCALE		1:1		REV	A		UNIT	mm	

未表示公差尺寸前  
 METRIC  
 .0= 0.35  
 .00= 0.25  
 .000= 0.15