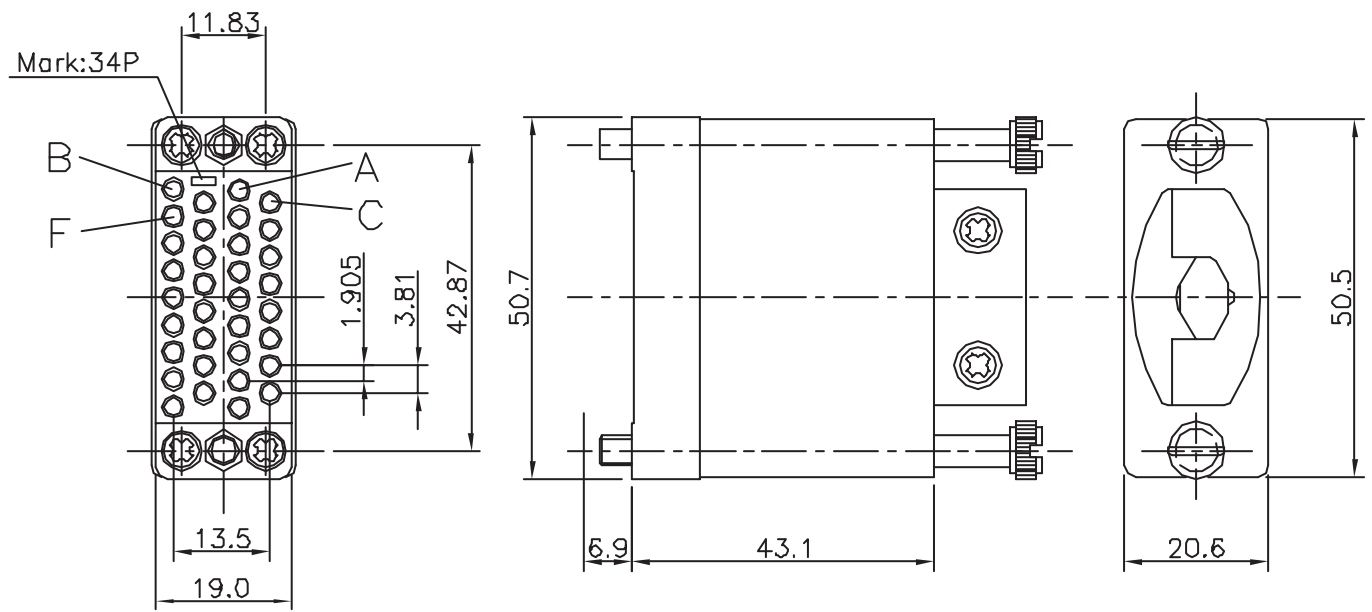


REV	DESCRIPTION	DATE
A	Initial Release	04:10:08



MECHANICAL
 INSULATOR MATERIAL:
 PBT & Glass-fibre reinforced
 UL-94-V0
 CONTACT:
 Brass
 HOOD MATERIAL:
 Aluminum
 WIRE SIZE:
 AWG 24 or 26 or 28

ELECTRICAL
 CURRENT RATING:
 7 Amp
 WITHSTANDING VOLTAGE:
 AC 1200V Min. (for one minute)
 INSULATION RESISTANCE:
 1000MΩ Min.(at 500V DC)
 CONTACT RESISTANCE:
 10mΩ Max. mated
 WORKING TEMPERATURE:
 -55°C to +105°C

PART NO.	SR TYPE
V.35M01	ABS BLACK
V.35M03	METALIZED CHROMIUM PLATED

SELECT	1	2	3	EXTRA
0.000	0.05	0.05	0.10	
0.00	0.10	0.15	0.20	✓
0.0	0.15	0.25	0.30	✓
0.	0.25	0.30	0.40	✓
ANGLE	1.0°	3.0°	5.0°	✓

				DRAWN BY	TOMMY
				CHECKED	TOMMY
TITLE:		V.35 MALE CONNECTOR WITH PLASTIC SR FOR CABLE ASSEMBLY		APPROVED	CAROL
PART NO:		V.35Mxx		DRAWING NO.	
SCALE	/	REV	A	UNIT	mm