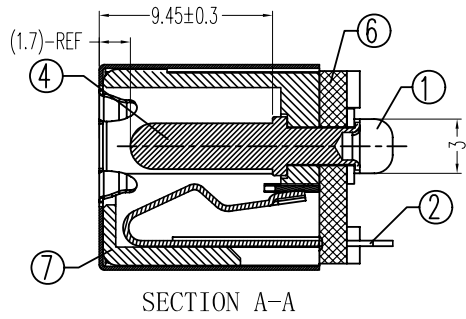
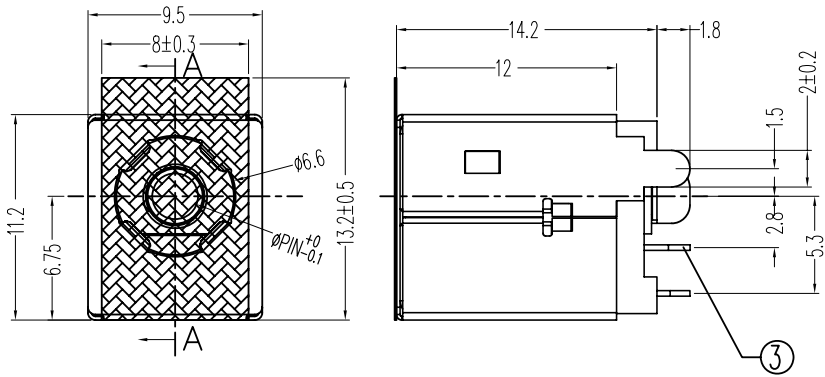
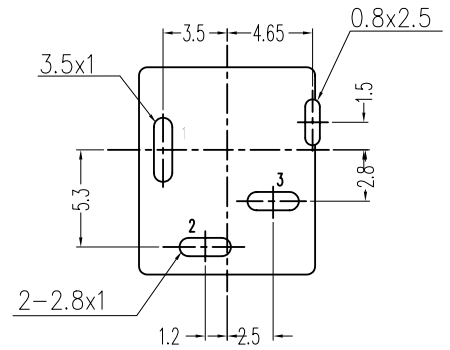
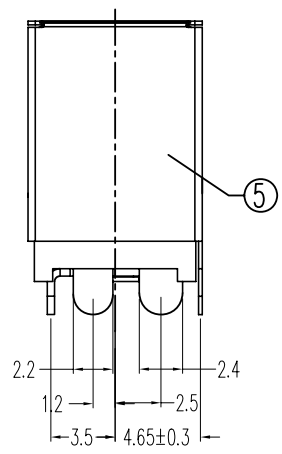


REV	DESCRIPTION	DATE
A	Initial Release	14.10.28

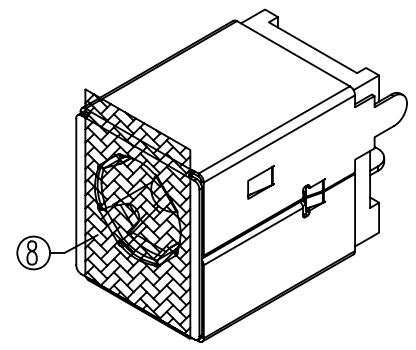
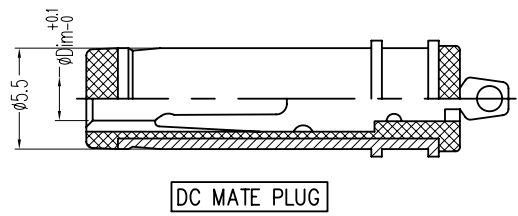


Specification:
 1. Rating : DC 20V 5A.
 2. Contact resistance: $\approx 30m\Omega$
 After test: $\approx 50m\Omega$
 3. Insulation resistance: $\geq 100M\Omega$ (500VDC).
 After test: $\geq 50M\Omega$
 4. Withstanding voltage: 500VAC.
 5. Insertion and extraction force: 3N~30N.
 6. Life test: 5000cycles min.
 7. Operation temperature range: $-25^{\circ}C \sim 60^{\circ}C$.
 8. Preservative temperature range: $-40^{\circ}C \sim 70^{\circ}C$.

CAT. NO.	PIN	SCHEMATIC
DJ-020-DP-86B	φ2.5	



T:1.6 Dimensions of PC board holes
 Tolerance : ± 0.1 (Printed-top view)



LEAD FREE

LTR	PART NAME	QTY	MATERIAL	REMARK
8	MYLAR	1	POLYIMIDE TAPE	
7	HOUSING	1	PA9T	UL-94V0(BLACK)
6	COVER	1	PA9T	UL-94V0(BLACK)
5	SHELL	1	SUS301 t=0.20	MB: Cu Ni PLATED
4	CENTER PIN	1	H59(COPPER ALLOY)	MB: Cu Ni PLATED
3	SHUNT TERMINAL	1	C2680 t=0.30	MB: Ni Ag PLATED
2	TIP SPRING	1	C5191 t=0.30	MB: Ni Ag PLATED
1	CENTER PIN TERMINAL	1	C2680 t=0.40	MB: Ni Ag PLATED

PANSTRONG COMPANY LTD.				DRAWN BY		TOMMY			
				CHECKED					
TITLE:				DC POWER JACK					
PART NO:				DJ-020-DP-86B					
SCALE				/		REV		A	
UNIT		mm		APPROVED		DRAWING NO.			

UNLESS OTHERWISE SPECIFIED,
 TOLERANCE ON DECIMAL:
 ±0.3