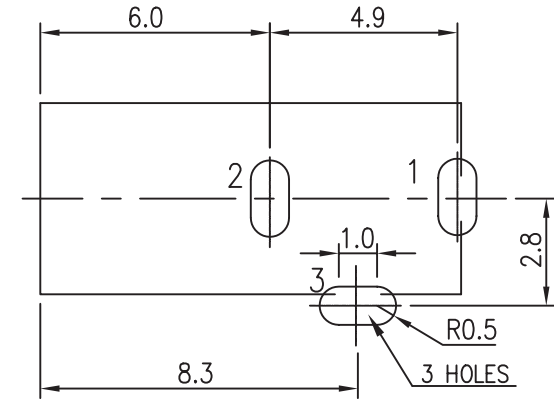
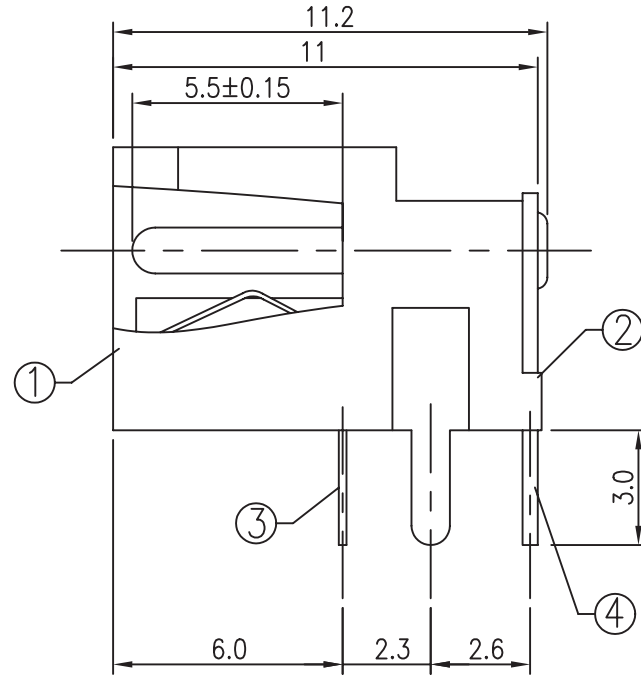
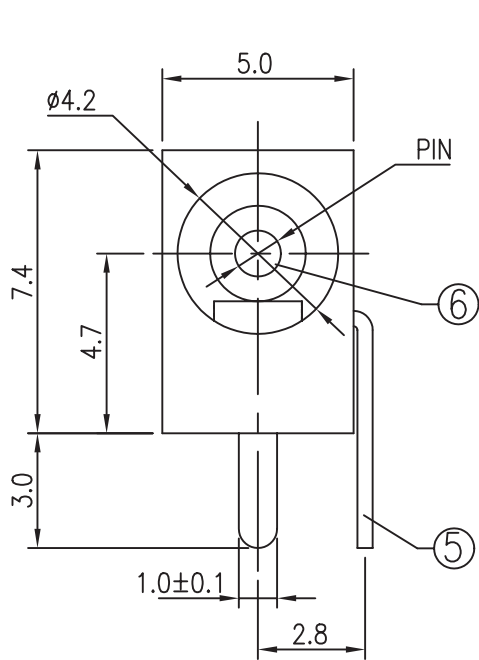


REV	DESCRIPTION	DATE
A	Initial Release	06'.04.13



T:1.6 Dimensions of PC board holes  
Tolerance : ±0.1(Printed-top view)

### LEAD FREE

PART NO.	PIN	SCHEMATIC
DJ-020-DP-02A	φ1.0	
DJ-020-DP-02B	φ1.3	

LTR	PART NAME	QTY	MATERIAL	REMARK
6	PIN	1	C2680	MB:Cu Ni PLATED
5	CURVE PIECE	1	C2680 t=0.4	MB:Cu Ag PLATED
4	FLAT PIECE	1	C2680 t=0.4	MB:Cu Ag PLATED
3	SPRING PIECE	1	C5191 t=0.2	MB:Cu Ag PLATED
2	COVER	1	PBT 4815	UL-94V-0
1	HOUSING	1	PBT 4815	UL-94V-0

UNLESS OTHERWISE SPECIFIED, TOLERANCE ON DECIMAL: ±0.3

PANSTRONG COMPANY LTD.				DRAWN BY		TOMMY	
				CHECKED			
TITLE:		DC POWER JACK				APPROVED	
PART NO:		DJ-020-DP-02X				DRAWING NO.	
SCALE		/		REV	A	UNIT	mm