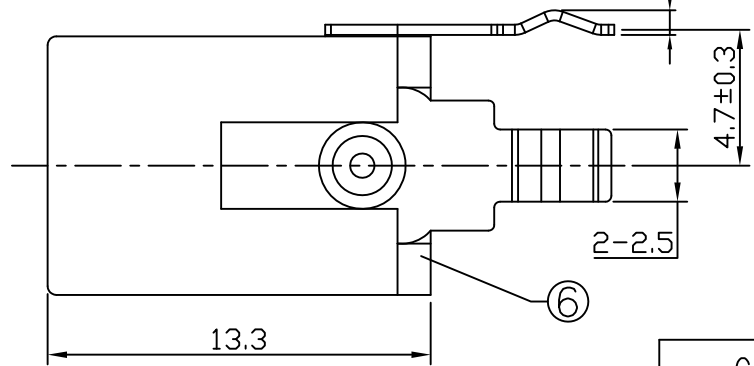
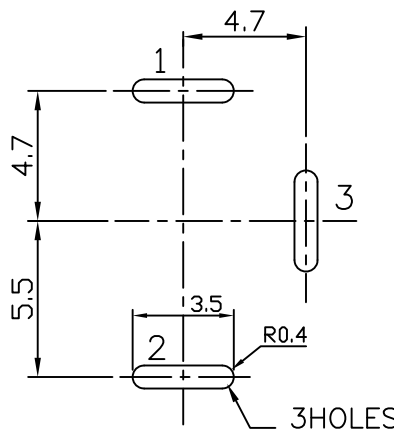
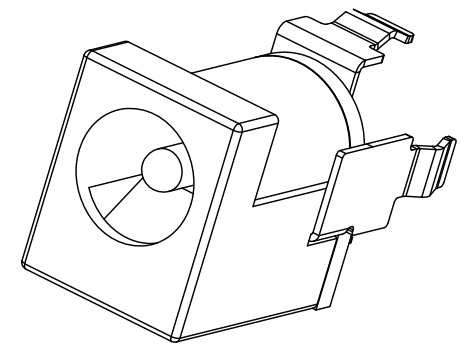
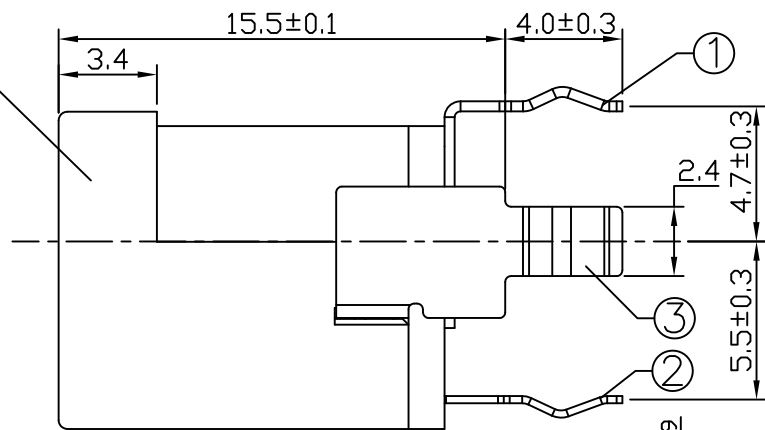
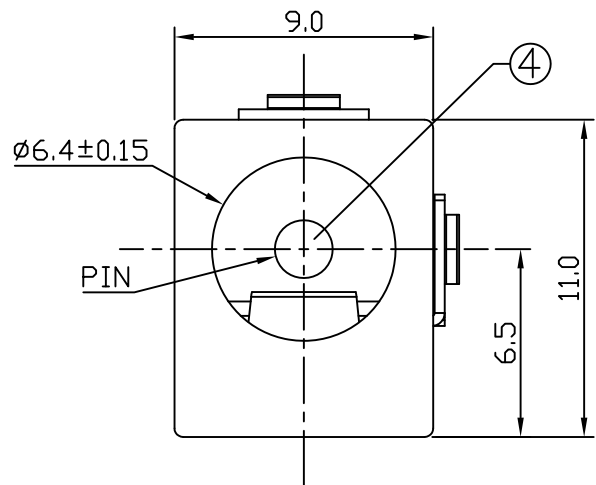


|     |                 |          |
|-----|-----------------|----------|
| REV | DESCRIPTION     | DATE     |
| A   | Initial Release | 11.06.07 |



T:1.6 Dimensions of PC board holes  
Tolerance:  $\pm 0.05$  (Printed-top view)

| CAT. NO.      | PIN         | SCHEMATIC |
|---------------|-------------|-----------|
| DJ-020-DP-30A | $\phi 2.0$  |           |
| DJ-020-DP-30B | $\phi 2.35$ |           |
| DJ-020-DP-30C | $\phi 2.5$  |           |

| LTR | PART NAME    | QTY | MATERIAL     | REMARK          |
|-----|--------------|-----|--------------|-----------------|
| 6   | COVER        | 1   | PF           |                 |
| 5   | HOUSING      | 1   | PBT 4815     | UL-94V0(BLACK)  |
| 4   | PIN          | 1   | H59          | MB:Cu Ni PLATED |
| 3   | CONTACT FOOT | 1   | C2680 t=0.35 | MB:Cu Sn PLATED |
| 2   | SPRING       | 1   | C5191 t=0.25 | MB:Cu Sn PLATED |
| 1   | FLAT PIECE   | 1   | C2680 t=0.35 | MB:Cu Sn PLATED |

UNLESS OTHERWISE SPECIFIED,  
TOLERANCE ON DECIMAL:  
 $\pm 0.3$

|                        |  |    |  |               |  |       |  |   |  |
|------------------------|--|----|--|---------------|--|-------|--|---|--|
| PANSTRONG COMPANY LTD. |  |    |  | DRAWN BY      |  | TOMMY |  |   |  |
|                        |  |    |  | CHECKED       |  |       |  |   |  |
| TITLE:                 |  |    |  | DC POWER JACK |  |       |  |   |  |
| PART NO:               |  |    |  | DJ-020-DP-30X |  |       |  |   |  |
| SCALE                  |  |    |  | /             |  | REV   |  | A |  |
| UNIT                   |  | mm |  |               |  |       |  |   |  |