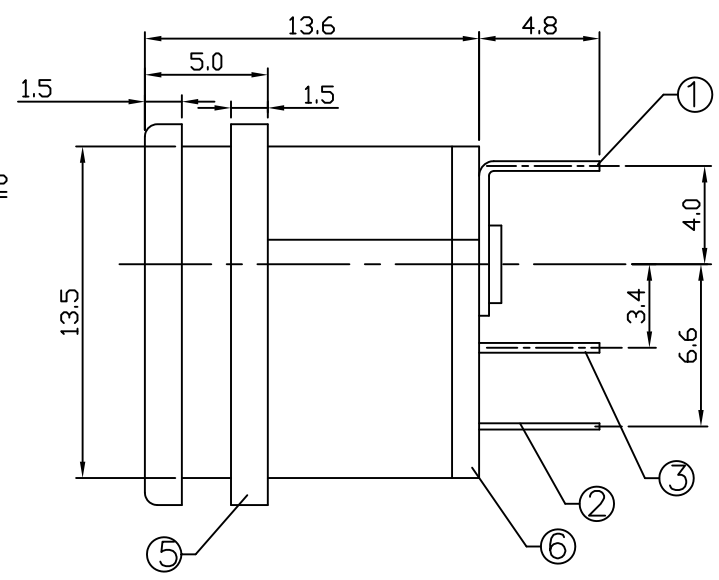
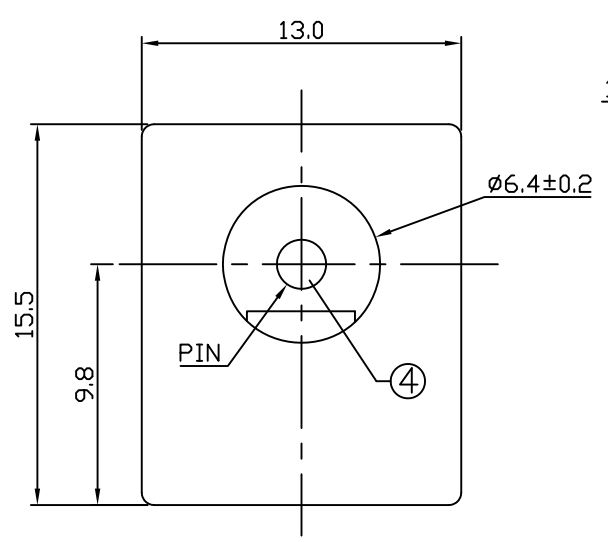
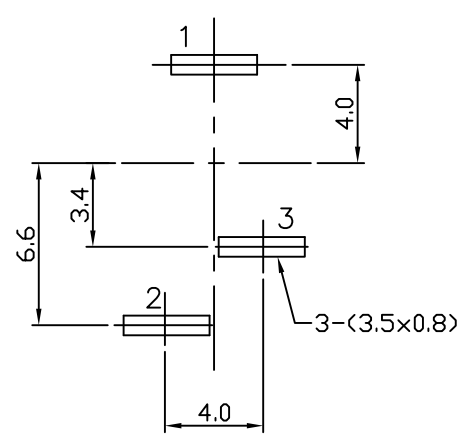


REV	DESCRIPTION	DATE
A	Initial Release	11'.04.26



SCHEMATIC	A	$\phi 2.0$	
	B	$\phi 2.5$	
	D	$\phi 2.35$	



LEAD FREE

6	COVER	1	PF	
5	HOUSING	1	PBT 4815	UL-94V0 (BLACK)
4	CENTER PIN	1	C2680	MB:Cu Sn PLATED
3	SHUNT TERMINL	1	C2680	MB:Cu Ni PLATED
2	TIP SPRING	1	SUS301	MB:Cu Sn PLATED
1	CENTER PIN TERMINAL	1	C2680	MB:Cu Sn PLATED
LTR	PART NAME	QTY	MATERIAL	REMARK

T:1.6 Dimensions of PC board holes
Tolerance : ± 0.1 (Printed-top view)

UNLESS OTHERWISE SPECIFIED,
TOLERANCE ON DECIMAL:
 ± 0.3

PANSTRONG COMPANY LTD.		DRAWN BY	TOMMY
		CHECKED	
TITLE:	DC POWER JACK	APPROVED	
PART NO:	DJ-020-DP-07X	DRAWING NO.	
SCALE	/	UNIT	mm
REV	A		