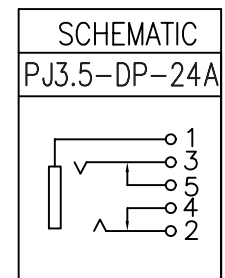
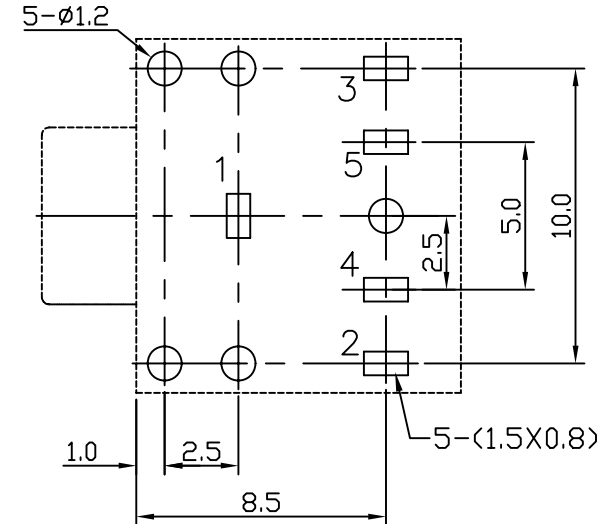
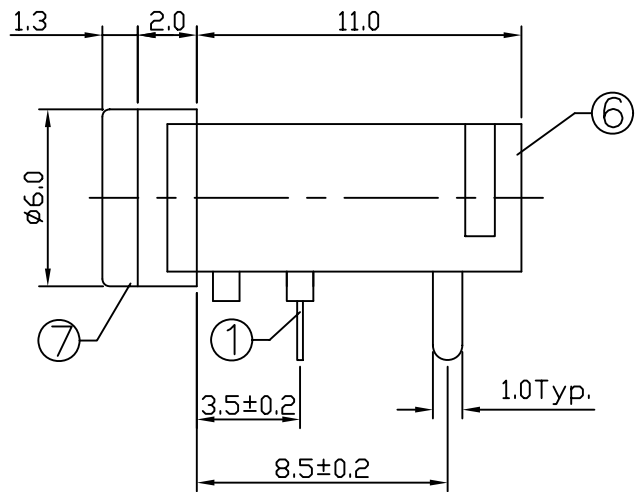
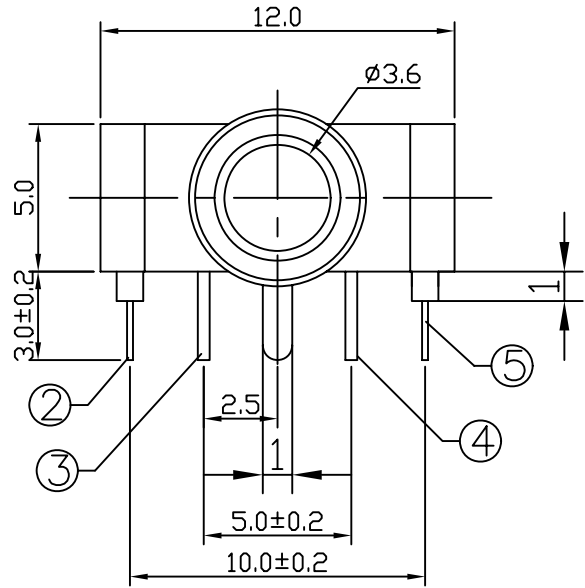


REV	DESCRIPTION	DATE
A	Initial Release	06'.03.15



T:1.6 Dimensions of PC board holes
Tolerance : ±0.1(Printed-top view)

UNLESS OTHERWISE SPECIFIED, TOLERANCE ON DECIMAL: ±0.3

LEAD FREE

7	AXIS SUPPORT	1	H59	MB:Cu Ni PLATED
6	HOUSING	1	PBT 4815	UL-94V0(BLACK)
5	5# CONTACT FOOT	1	C5191	MB:Cu Sn PLATED
4	4# CONTACT FOOT	1	C2680	MB:Cu Sn PLATED
3	3# CONTACT FOOT	1	C2680	MB:Cu Sn PLATED
2	2# CONTACT FOOT	1	C5191	MB:Cu Sn PLATED
1	1# CONTACT FOOT	1	C5191	MB:Cu Sn PLATED
LTR	PART NAME	QTY	MATERIAL	REMARK

PANSTRONG COMPANY LTD.				DRAWN BY	TOMMY
				CHECKED	
TITLE:				3.5MM PHINE JACK, DIP, R/A	
PART NO:				PJ3.5-DP-24A	
SCALE				REV	A
UNIT	mm				