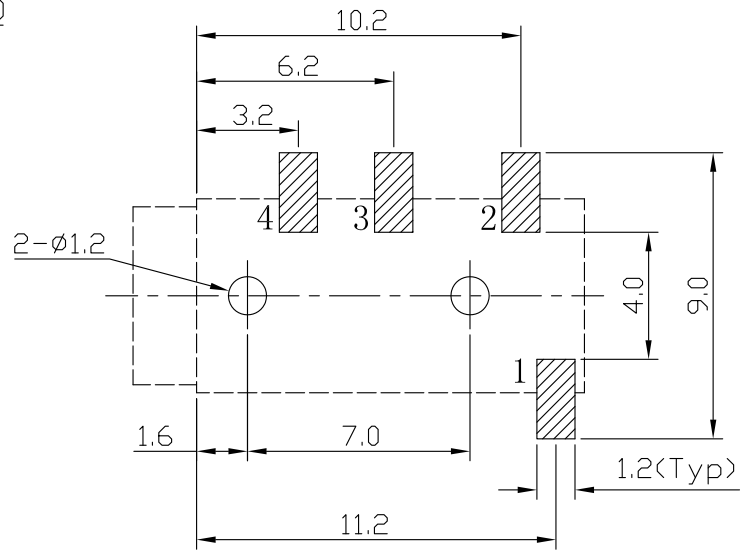
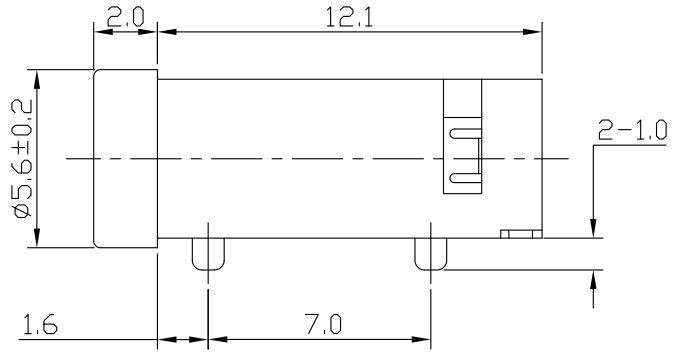
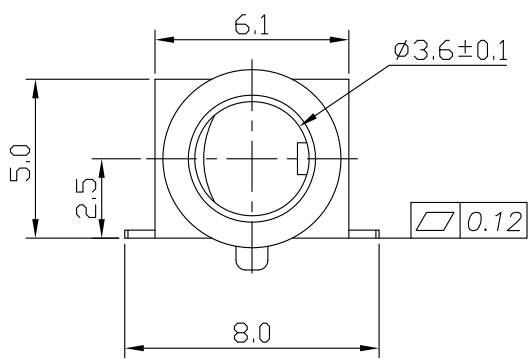
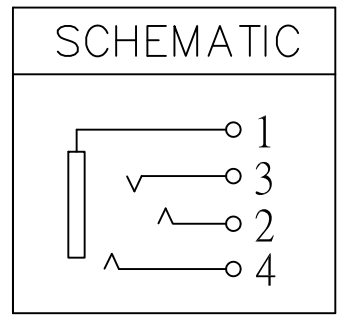
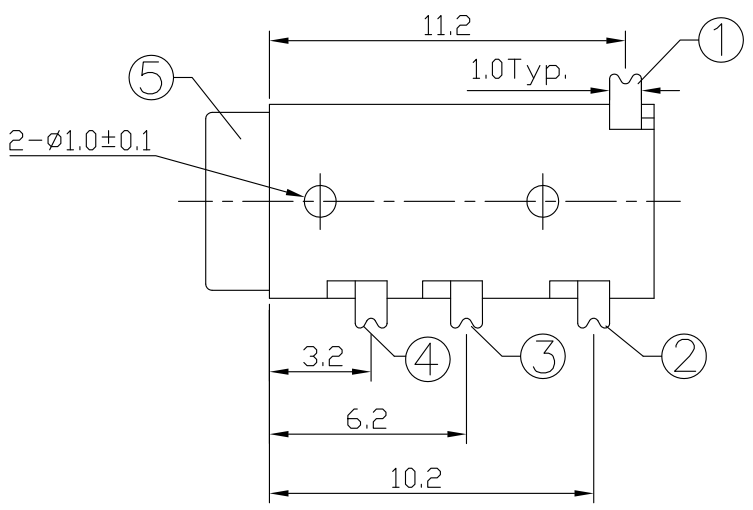


REV	DESCRIPTION	DATE
A	Initial Release	06'.03.30
B	Drawings Update	10'.01.22



T:1.6 Dimensions of PC board holes
Tolerance : ±0.1(Printed-top view)



UNLESS OTHERWISE SPECIFIED, TOLERANCE ON DECIMAL: ±0.2

LEAD FREE

LTR	PART NAME	QTY	MATERIAL	REMARK
5	HOUSING	1	PA9T	UL-94V0(BLACK)
4	4# CONTACT FOOT	1	C5191 t=0.25	MB:Ni Ag PLATED
3	3# CONTACT FOOT	1	C5191 t=0.25	MB:Ni Ag PLATED
2	2# CONTACT FOOT	1	C5191 t=0.25	MB:Ni Ag PLATED
1	1# CONTACT FOOT	1	SUS301 t=0.20	MB:Ni Ag PLATED

PANSTRONG COMPANY LTD.	DRAWN BY	TOMMY
	CHECKED	
TITLE:	3.5MM PHONE JACK, SMT, R/A	
PART NO:	PJ3.5-SM-04A	
SCALE	REV	B
UNIT	mm	