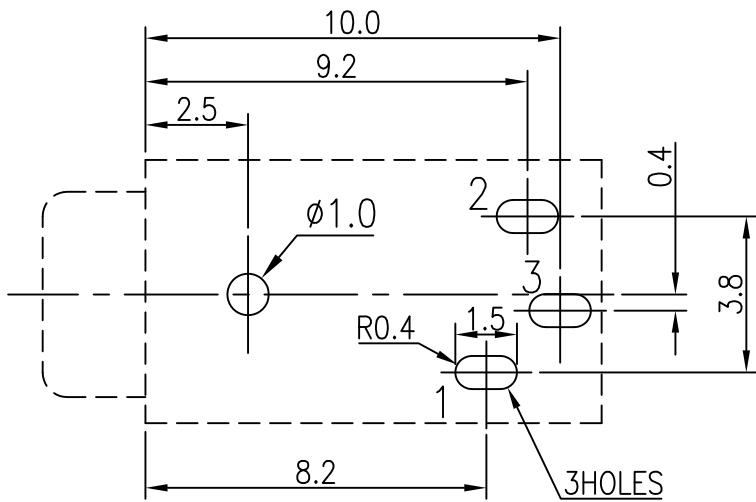
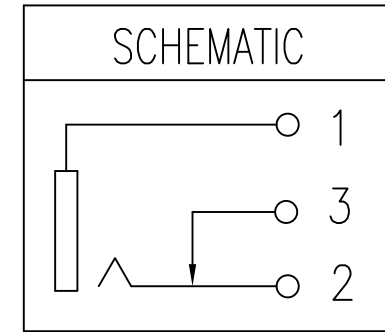
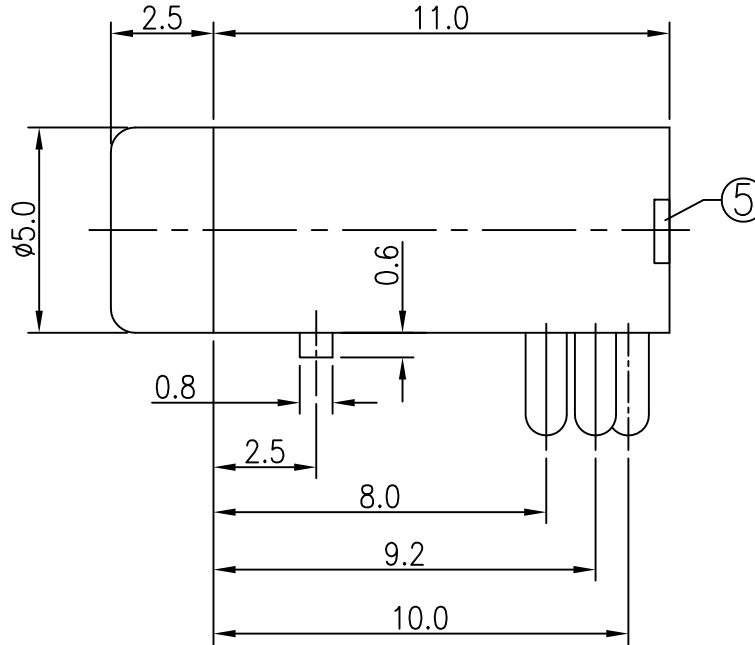
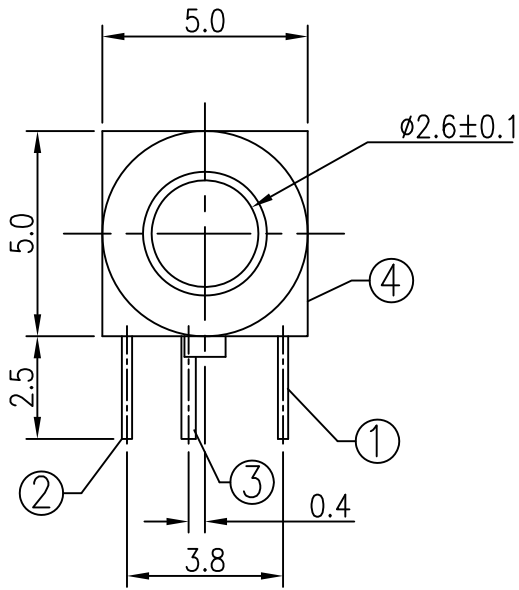


REV	DESCRIPTION	DATE
A	Initial Release	09'.05.05



T:1.6 Dimensions of PC board holes  
Tolerance :  $\pm 0.1$  (Printed-top view)

LEAD FREE

LTR	PART NAME	QTY	MATERIAL	REMARK
5	BACK COVER	1	PA66	BLACK
4	HOUSING	1	PA66	BLACK
3	3# CONTACT FOOT	1	C2680	t=0.40 MB:Cu Sn PLATED
2	2# CONTACT FOOT	1	C5191	t=0.25 MB:Cu Sn PLATED
1	1# CONTACT FOOT	1	C5191	t=0.25 MB:Cu Sn PLATED

PANSTRONG COMPANY LTD.				DRAWN BY		TOMMY	
				CHECKED			
TITLE:				MINIATURE JACK			
PART NO:				PJ2.5-025-08			
SCALE		/		REV		A	
UNIT		mm		APPROVED		DRAWING NO. 01-025-08	

UNLESS OTHERWISE SPECIFIED,  
TOLERANCE ON DECIMAL:  
 $\pm 0.3$