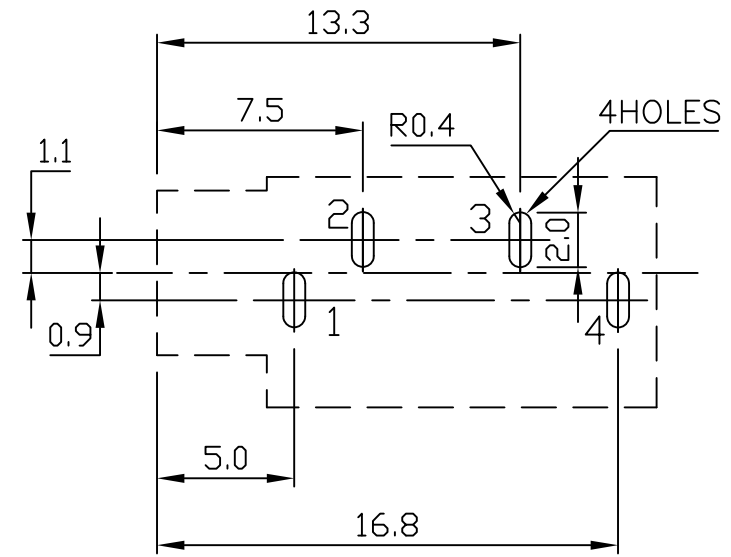
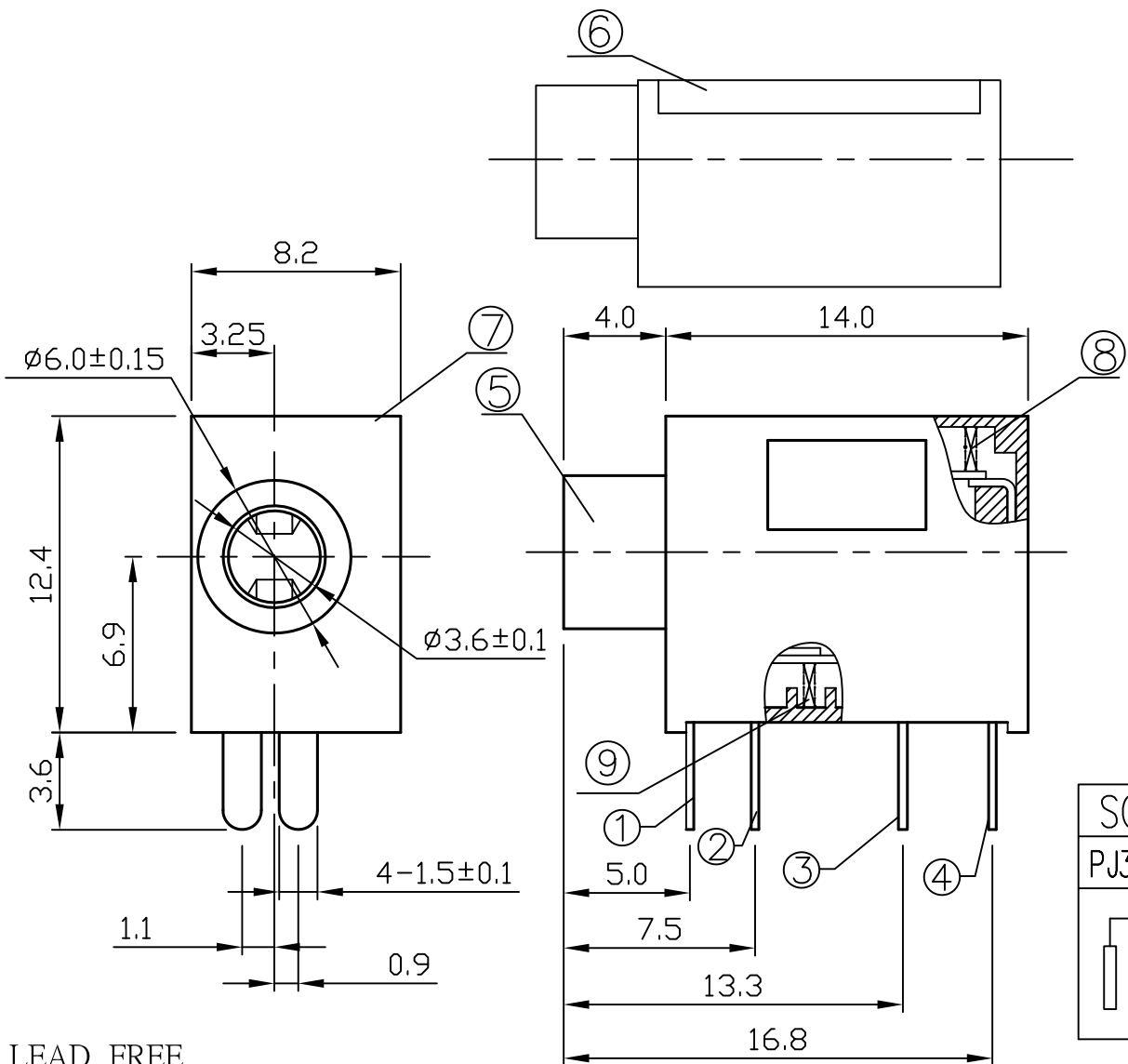
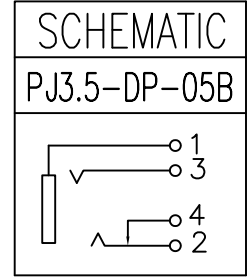


REV	DESCRIPTION	DATE
A	Initial Release	09'.06.17



T:1.6 Dimensions of PC board holes
Tolerance : ±0.1(Printed-top view)



LEAD FREE

9	SPRING	1	SWC WIRE	MB:Cu Ni PLATED
8	SPRING	1	SWC WIRE	MB:Cu Ni PLATED
7	HOUSING	1	PBT 4815	UL-94V0(BLACK)
6	COVER	1	PBT 4815	UL-94V0(BLACK)
5	AXIS SUPPORT	1	H59(COPPER ALLOY)	MB:Cu Ni PLATED
4	CURVE PIECE	1	C2680 t=0.30	MB:Ni Ag PLATED
3	SPRING PIECE	1	C5191 t=0.30	MB:Ni Ag PLATED
2	SPRING PIECE	1	C5191 t=0.30	MB:Ni Ag PLATED
1	FLAT PIECE	1	C2680 t=0.30	MB:Ni Ag PLATED
LTR	PART NAME	QTY	MATERIAL	REMARK

UNLESS OTHERWISE SPECIFIED, TOLERANCE ON DECIMAL: ±0.3

	PANSTRONG COMPANY LTD.		DRAWN BY	TOMMY
			CHECKED	
TITLE:	3.5MM PHONE JACK, DIP, R/A		APPROVED	
PART NO:	PJ3.5-DP-05B		DRAWING NO.	
SCALE	/	REV	A	UNIT mm