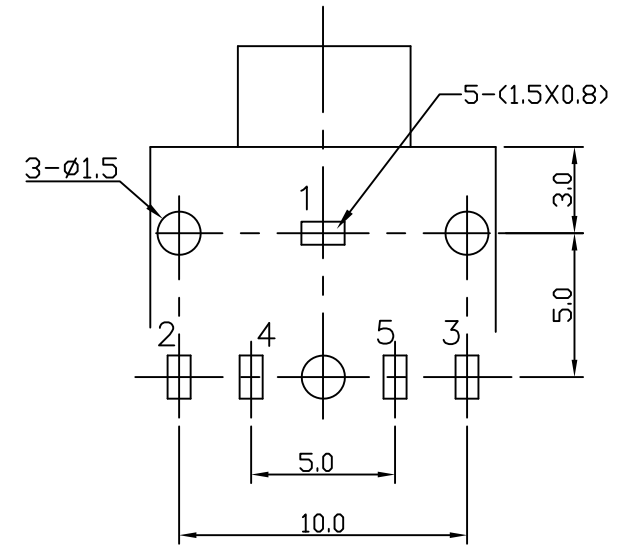
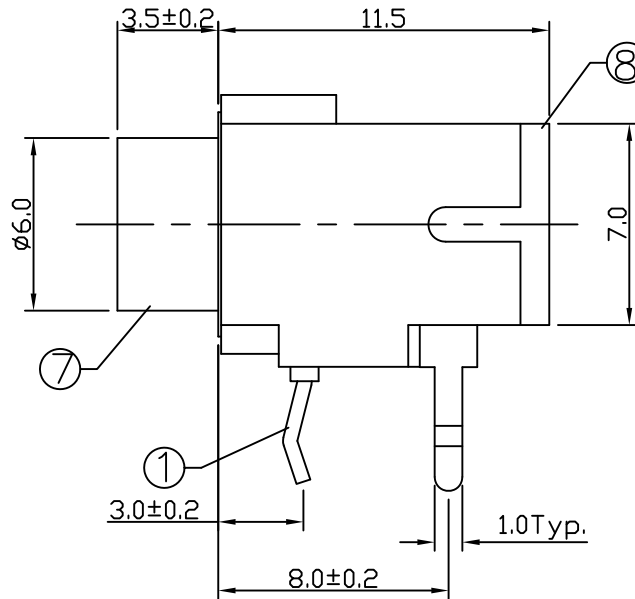
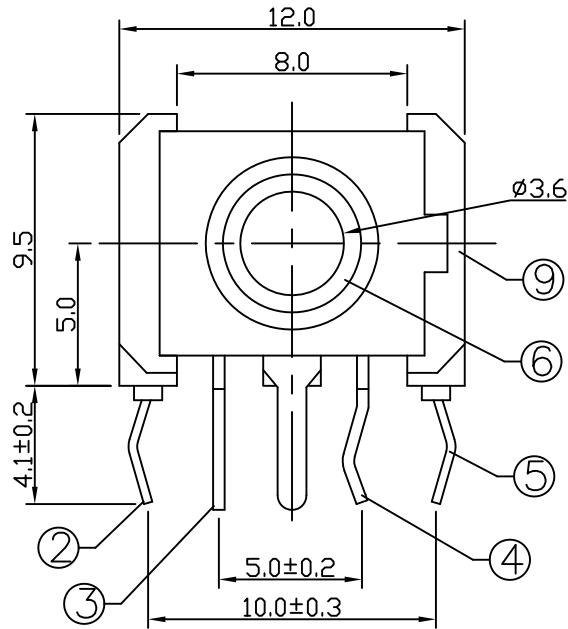


REV	DESCRIPTION	DATE
A	Initial Release	02.11.13



T:1.6 Dimensions of PC board holes
Tolerance : ±0.1(Printed-top view)

COLOR
GREEN
RED
BLUE
ORANGE

LEAD FREE

LTR	PART NAME	QTY	MATERIAL	REMARK
9	HOUSING	1	PBT 4815	UL-94V0
8	COVER	1	PBT 4815	UL-94V0
7	AXIS SUPPORT	1	PBT 4815	UL-94V0
6	AXIS SUPPORT	1	C2680	MB:Cu Ni PLATED
5	5# CONTACT FOOT	1	C5191	MB:Cu Sn PLATED
4	4# CONTACT FOOT	1	C2680	MB:Cu Sn PLATED
3	3# CONTACT FOOT	1	C2680	MB:Cu Sn PLATED
2	2# CONTACT FOOT	1	C5191	MB:Cu Sn PLATED
1	1# CONTACT FOOT	1	C2680	MB:Cu Sn PLATED

SCHEMATIC				
PJ3.5-DP-07SA	PJ3.5-DP-07SB	PJ3.5-DP-07SC	PJ3.5-DP-07SD	PJ3.5-DP-07SI

UNLESS OTHERWISE SPECIFIED, TOLERANCE ON DECIMAL: ±0.3

PANSTRONG COMPANY LTD.				DRAWN BY		TOMMY	
				CHECKED			
TITLE:		3.5MM PHONE JACK, DIP, R/A, INSULATED HEAD				APPROVED	
PART NO:		PJ3.5-DP-07SX				DRAWING NO.	
SCALE		/		REV	A	UNIT	mm