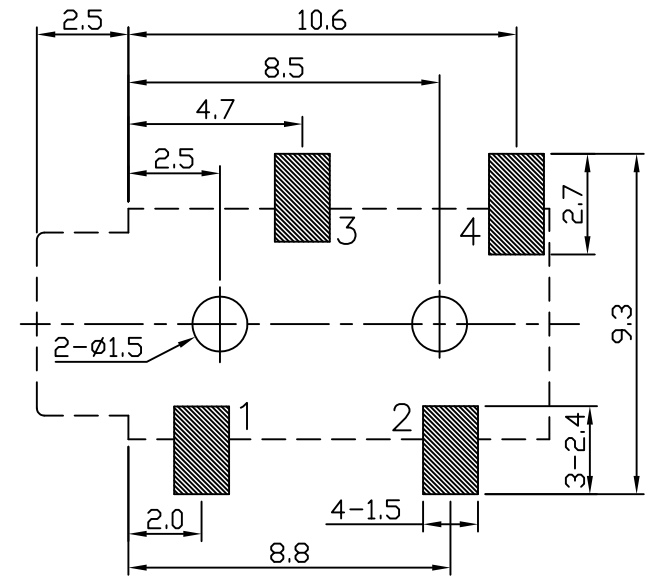
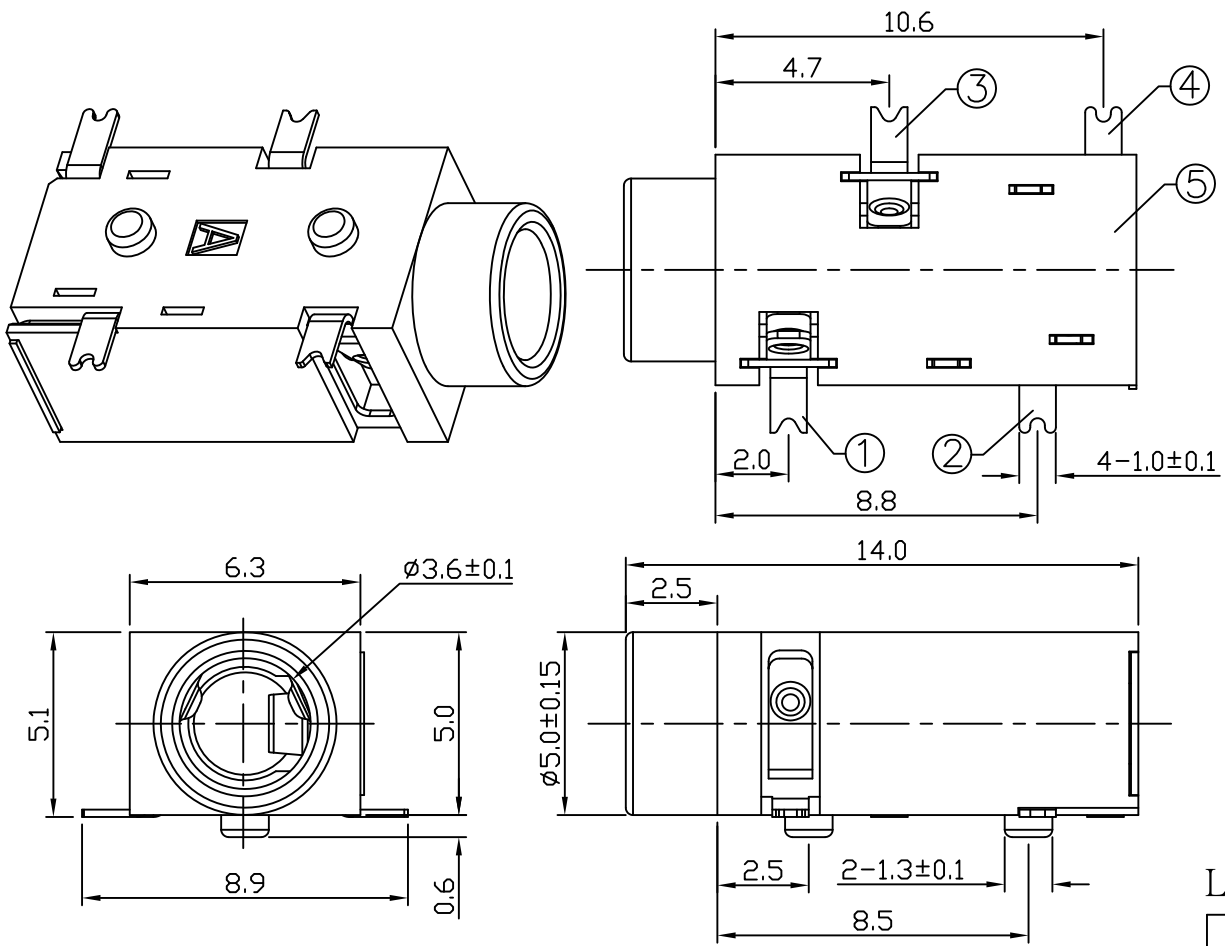
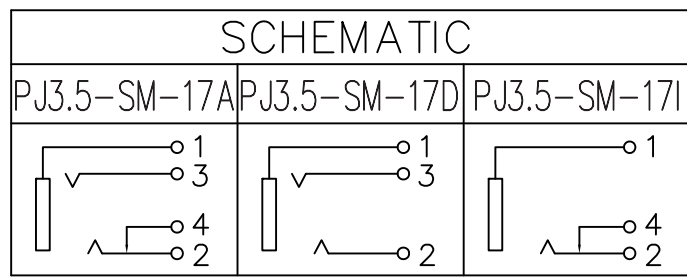


REV	DESCRIPTION	DATE
A	Initial Release	09.03.11



T:1.6 Dimensions of PC board holes
Tolerance : ±0.1(Printed-top view)



UNLESS OTHERWISE SPECIFIED, TOLERANCE ON DECIMAL: ±0.2

LEAD FREE

5	HOUSING	1	PA9T	UL-94V0(BLACK)
4	CURVE PIECE	1	C2680 t=0.20	MB:Ni Ag PLATED
3	CONTACT FOOT	1	C5191 t=0.20	MB:Ni Ag PLATED
2	SPRING FOOT	1	C5191 t=0.20	MB:Ni Ag PLATED
1	CONTACT FOOT	1	C5191 t=0.20	MB:Ni Ag PLATED
LTR	PART NAME	QTY	MATERIAL	REMARK

	PANSTRONG COMPANY LTD.		DRAWN BY	TOMMY
			CHECKED	
TITLE:	3.5mm Phone Jack, SMT, R/A		APPROVED	
PART NO:	PJ3.5-SM-17X		DRAWING NO.	
SCALE	/	REV	A	UNIT mm