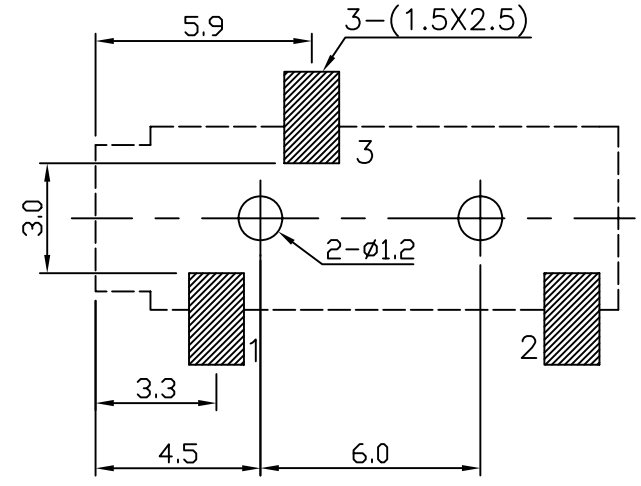
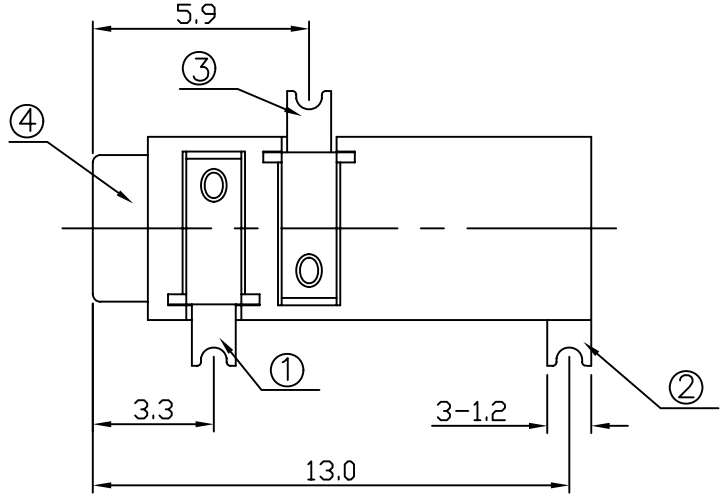
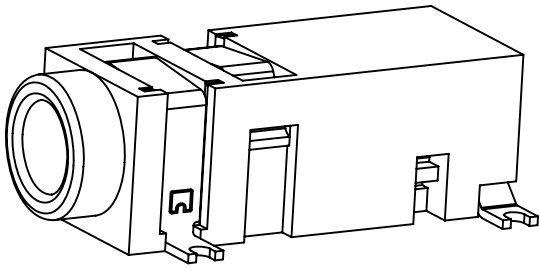
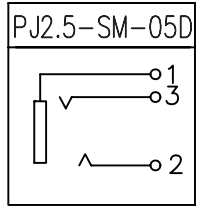
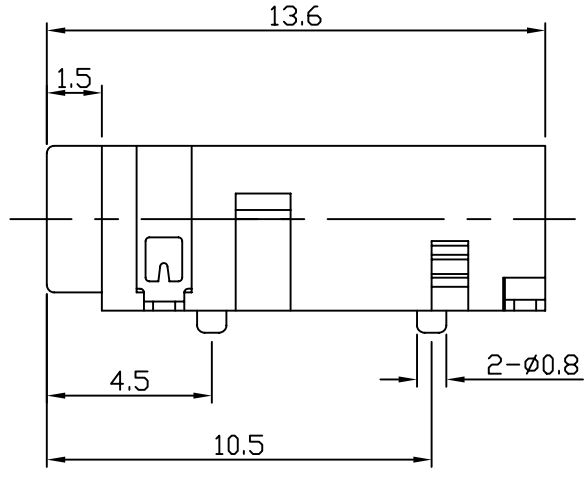
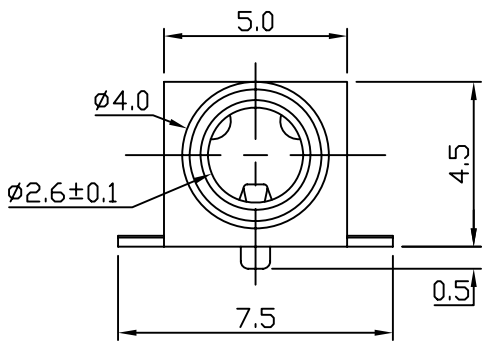


REV	DESCRIPTION	DATE
A	Initial Release	09.02.09



T:1.6 Dimensions of PC board holes  
Tolerance : ±0.1(Printed-top view)



# LEAD FREE

LTR	PART NAME	QTY	MATERIAL	REMARK
4	HOUSING	1	PA9T	UL-94V0(BLACK)
3	TERMINAL	1	C5191 t=0.20	MB:Ni Ag PLATED
2	TERMINAL	1	C5191 t=0.25	MB:Ni Ag PLATED
1	TERMINAL	1	C5191 t=0.20	MB:Ni Ag PLATED

UNLESS OTHERWISE SPECIFIED,  
TOLERANCE ON DECIMAL:  
±0.2

PANSTRONG COMPANY LTD.				DRAWN BY		TOMMY			
				CHECKED					
TITLE:				MINIATURE JACK					
PART NO:				PJ2.5-SM-05D					
SCALE				/		REV		A	
UNIT		mm		APPROVED		DRAWING NO.			