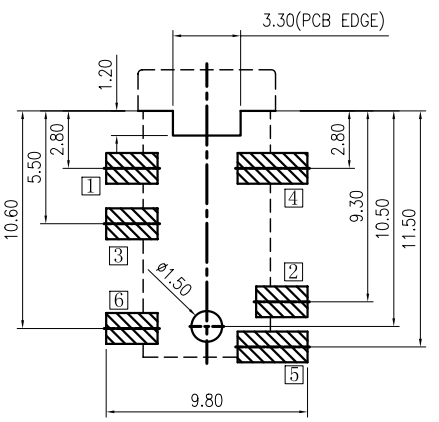
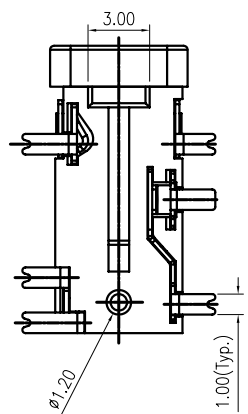
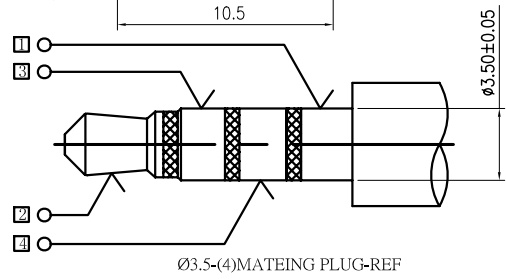
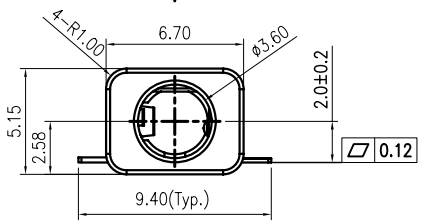
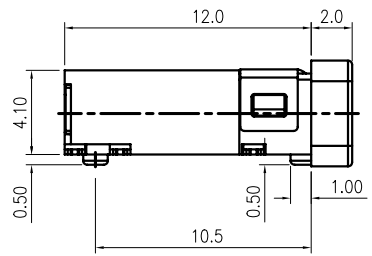
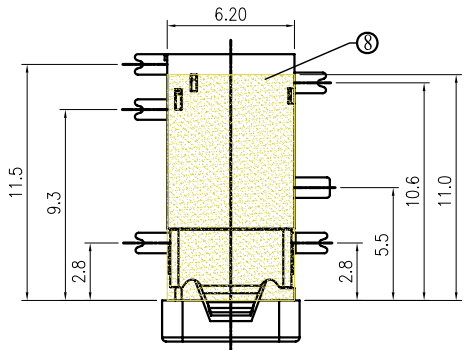


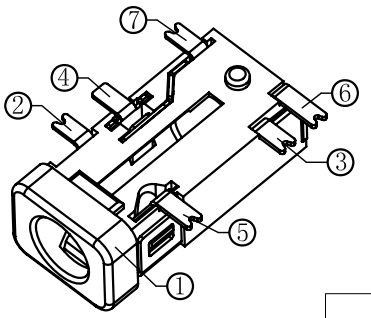
REV	DESCRIPTION	DATE
A	Initial Release	09.06.01

Notes:

- Electrical Characteristics:
 - 1-1. Rating : DC 30V 0.5 A ;
 - 1-2. Contact Resistance: 30mΩ Max.(Initial),
Between plug and contact 100mΩ Max;
(Final) After Life test: ≤60mΩ ;
 - 1-3. Dielectric Withstanding Voltage: 500V AC for One Minute ,
 - 1-4. Insulation Resistance: 100MΩ Min. Measured By 500 VDC;
- Mechanical Characteristics:
 - 2-1. Plug Insertion Force 0.3~3.0Kgf (initial),
0.3~3.0Kgf (Final) life test;
 - 2-2. Plug Extraction Force: 0.3~3.0Kgf (initial),
0.3~3.0Kgf (Final) life test;
- Durability Test: 5,000 Cycles min;
- Operating temperature: -25°C ~ +70°C;
- Soldering Heat Resistance Reflow Soldering 260°C;
- Plug Interface Dimensions Conform To EIAJ RC-5325A Spec;
- Packaging: Tape Reel;



Recommend of PC Board Holes
Tolerance : ±0.05(Top view)



-TOLERANCES-
UNLESS OTHERWISE SPECIFIED

X.X	±0.30	X.X'	±3'
X.XX	±0.25	X.XX'	±1'
X.XXX	±0.20		

Model No.	PJ3.5-SM-47A	PJ3.5-SM-47B	PJ3.5-SM-47C	PJ3.5-SM-47D	PJ3.5-SM-47E	PJ3.5-SM-47F
Schematic code						

LEAD FREE

8	Mylar	1	Polyimide	T0.05*W6.2*L11
7	Shunt terminal	6	Copper alloy	Gold plating
6	Shunt terminal	5	Copper alloy	Gold plating
5	Ring spring	4	Copper alloy	Gold plating
4	Ring spring	3	Copper alloy	Gold plating
3	Tip spring	2	Copper alloy	Gold plating
2	Earth spring	1	Copper alloy	Gold plating
1	Housing	1	PA9T	UL94V-0 BLACK
NO.	DESCRIPTION	QTY	MATERIAL	REMARK

** : INDICATES THE KEY DIMENSIONS

PANSTRONG COMPANY LTD.	DRAWN BY	TOMMY	
	CHECKED		
TITLE:	MINIATURE JACK	APPROVED	
PART NO:	PJ3.5-SM-47	DRAWING NO.	
SCALE	/	UNIT	mm
REV	A		