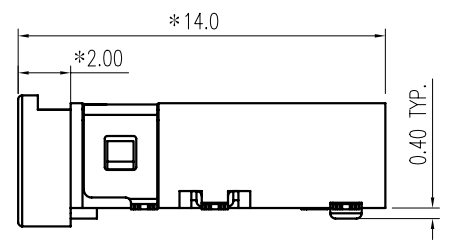
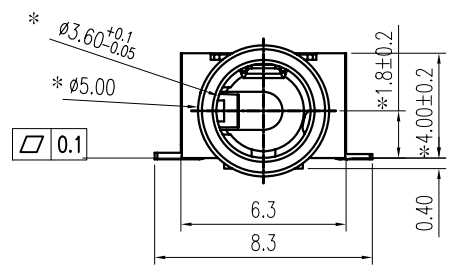
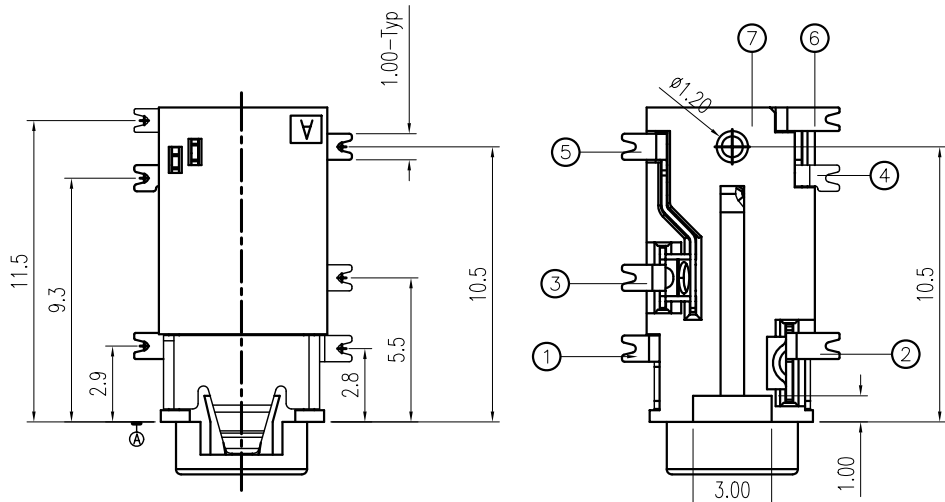


| | | |
|-----|-----------------|----------|
| REV | DESCRIPTION | DATE |
| A | Initial Release | 15.03.21 |



Notes:

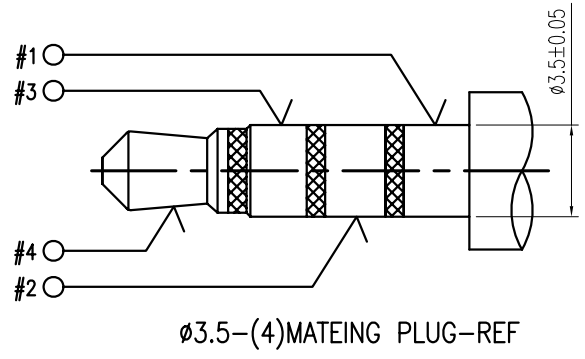
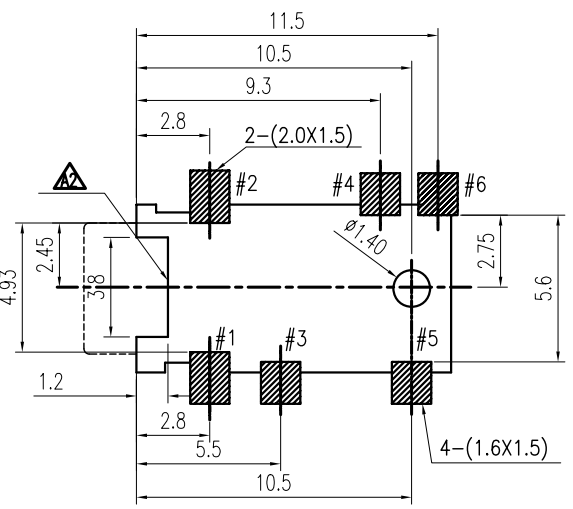
- Electrical Characteristics:
 - Rating : DC 30V 0.5 A ;
 - Contact Resistance: 50mΩ Max.(Initial), 100mΩ Max.(Final) After test: ≤50mΩ ;
 - Dielectric Withstanding Voltage: 500V AC for One Minute ;
 - Insulation Resistance: 100MΩ Min. Measured By 500 VDC;
- Mechanical Characteristics:
 - Plug Insertion Force 0.3~3.0Kgf (initial), 0.3~3.0Kgf (Final) life test;
 - Plug Extraction Force: 0.3~3.0Kgf (initial), 0.3~3.0Kgf (Final) life test;
- Durability Test: 5,000 Cycles min;
- Operating temperature:-25°C ~ +70°C;
- Soldering Heat Resistance IR Reflow Soldering 260°C;
- Plug Interface Dimensions Conform To EIAJ RC-5325A Spec;
- Packaging:Tape Reel;

| SCHEMATIC | | | |
|--------------|--------------|--------------|--------------|
| PJ3.5-SM-37A | PJ3.5-SM-37B | PJ3.5-SM-37C | PJ3.5-SM-37D |
| | | | |

LEAD FREE

| | | | | | |
|-----|-------------|-----|---------------------|---------|------------|
| 7 | HOUSING | 1 | PA9T | UL94V-0 | Black |
| 6 | TERMINAL 6# | 1 | COPPER ALLOY t=0.25 | MB:Ni | Gold Flash |
| 5 | TERMINAL 5# | 1 | COPPER ALLOY t=0.20 | MB:Ni | Gold Flash |
| 4 | TERMINAL 4# | 1 | COPPER ALLOY t=0.25 | MB:Ni | Gold Flash |
| 3 | TERMINAL 3# | 1 | COPPER ALLOY t=0.20 | MB:Ni | Gold Flash |
| 2 | TERMINAL 2# | 1 | COPPER ALLOY t=0.25 | MB:Ni | Gold Flash |
| 1 | TERMINAL 1# | 1 | COPPER ALLOY t=0.20 | MB:Ni | Gold Flash |
| LTR | PART NAME | QTY | MATERIAL | REMARK | |

***: INDICATES THE KEY DIMENSIONS



Recommend of PC Board Holes
Tolerance : ±0.05(Top view)

| | |
|--|-----------|
| -TOLERANCES- UNLESS OTHERWISE SPECIFIED | |
| X.X ±0.30 | X.X' ±3' |
| X.XX ±0.25 | X.XX' ±1' |
| X.XXX ±0.20 | |

| | | | | |
|----------|------------------------|----------------|----------|-------------|
| | PANSTRONG COMPANY LTD. | | DRAWN BY | TOMMY |
| | | | CHECKED | |
| TITLE: | | MINIATURE JACK | | APPROVED |
| PART NO: | | PJ3.5-SM-37 | | DRAWING NO. |
| SCALE | / | REV | A | UNIT mm |

