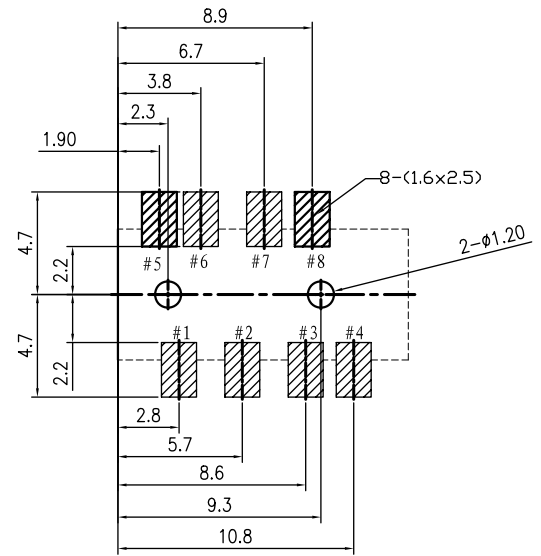
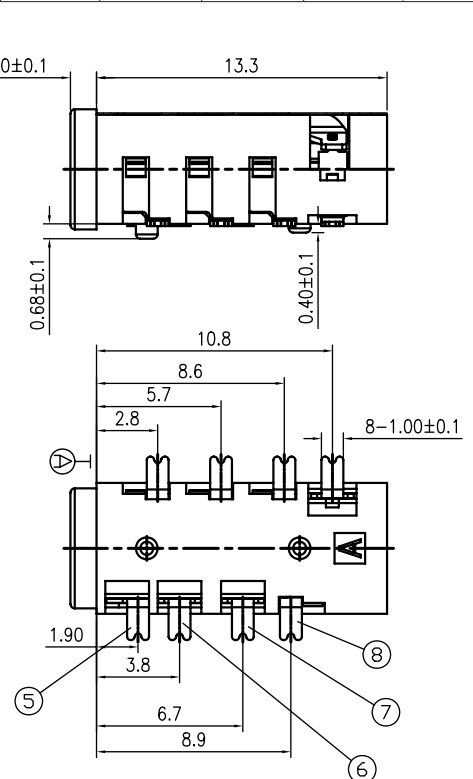
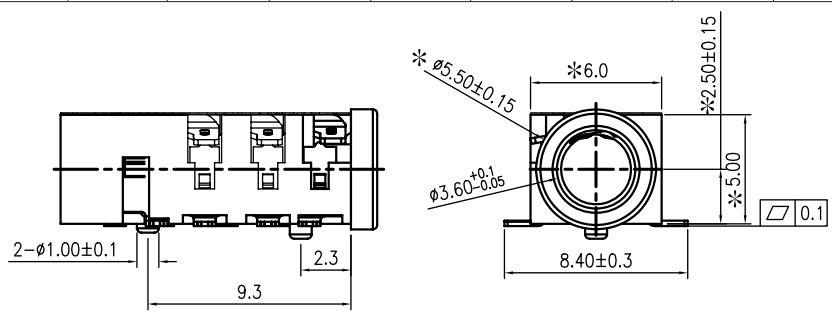


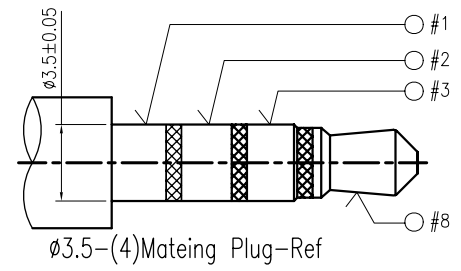
REV	DESCRIPTION	DATE
A	Initial Release	09.03.11

Notes:

- Electrical Characteristics:
  - 1-1.Rating : DC 30V 0.5 A ;
  - 1-2.Contact Resistance: 50mΩ Max.(Initial), 100mΩ Max.(Final) After test: ≤50mΩ ;
  - 1-3.Dielectric Withstanding Voltage: 500V AC for One Minute ;
  - 1-4. Insulation Resistance: 100MΩ Min. Measured By 500 VDC;
- Mechanical Characteristics:
  - 2-1. Plug Insertion Force 0.3~3.0Kgf (initial), 0.3~3.0Kgf (Final) life test;
  - 2-2. Plug Extraction Force: 0.3~3.0Kgf (initial), 0.3~3.0Kgf (Final) life test;
- Durability Test: 5,000 Cycles min;
- Operating temperature:-25°C ~ +70°C;
- Soldering Heat Resistance Reflow Soldering 260°C;
- Plug Interface Dimensions Conform To EIAJ RC-5325A Spec;
- Packaging:Tape Reel.;



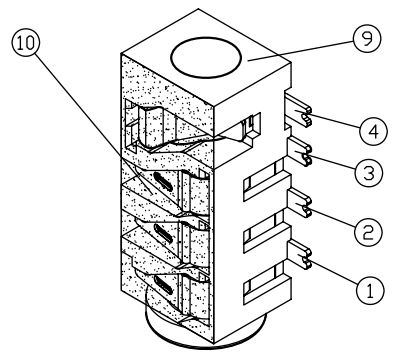
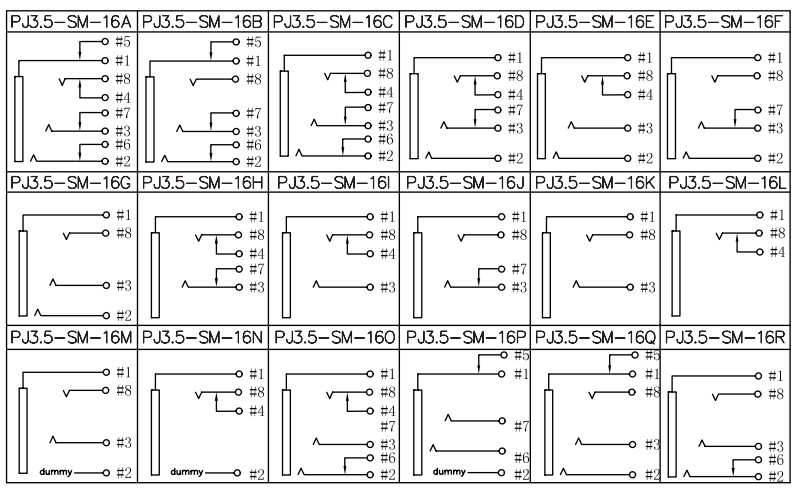
Recommend of PC Board Holes  
Tolerance : ±0.05(Printed-Top view)



LEAD FREE

10	MYLAR	1	POLYIMIDE TAPE	
9	HOUSING	1	PA9T	UL-94VO(BLACK)
8	CONTACT FOOT #8	1	PHOSPHOR BRONZE t=0.25	MB:Ni Ag PLATED
7	CONTACT FOOT #7	1	BRASS t=0.20	MB:Ni Ag PLATED
6	CONTACT FOOT #6	1	BRASS t=0.20	MB:Ni Ag PLATED
5	CONTACT FOOT #5	1	BRASS t=0.20	MB:Ni Ag PLATED
4	CONTACT FOOT #4	1	BRASS t=0.20	MB:Ni Ag PLATED
3	CONTACT FOOT #3	1	PHOSPHOR BRONZE t=0.25	MB:Ni Ag PLATED
2	CONTACT FOOT #2	1	PHOSPHOR BRONZE t=0.25	MB:Ni Ag PLATED
1	CONTACT FOOT #1	1	PHOSPHOR BRONZE t=0.25	MB:Ni Ag PLATED
LTR	PART NAME	QTY	MATERIAL	REMARK

“\*”: INDICATES THE KEY DIMENSIONS



-TOLERANCES-  
UNLESS OTHERWISE SPECIFIED  
X.X ±0.3 X' ±5'  
X.XX ±0.25 X.XX' ±3'  
X.XXX ±0.15

		DRAWN BY		TOMMY
		CHECKED		
TITLE:		MINIATURE JACK		APPROVED
PART NO:		PJ3.5-SM-16		DRAWING NO.
SCALE	/	REV	A	UNIT mm