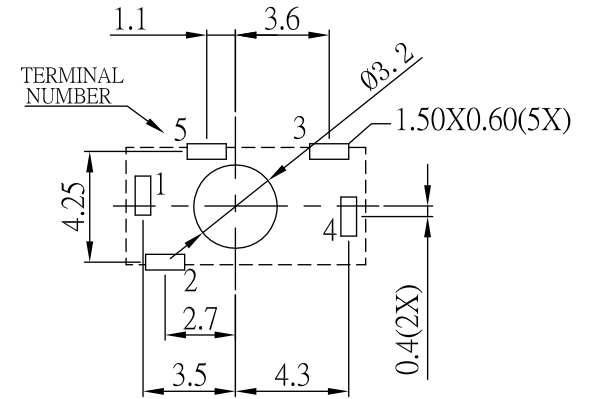
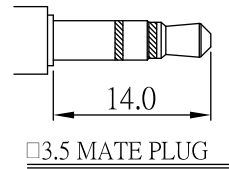
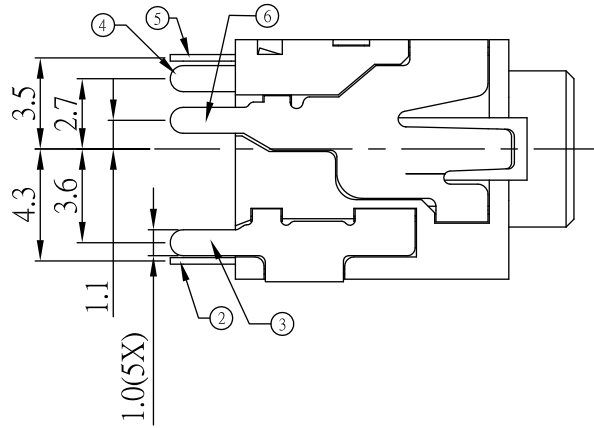
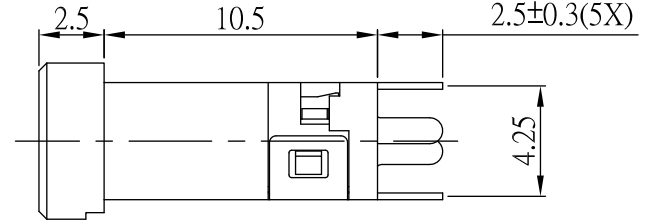
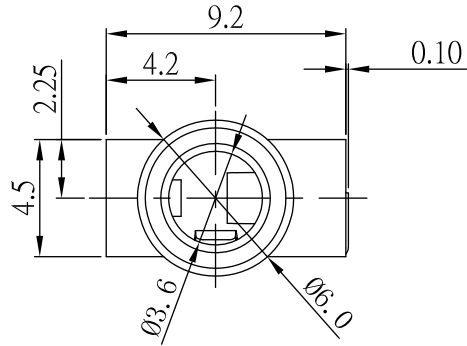
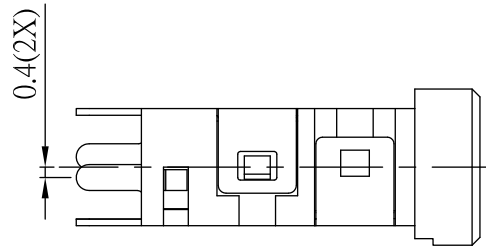
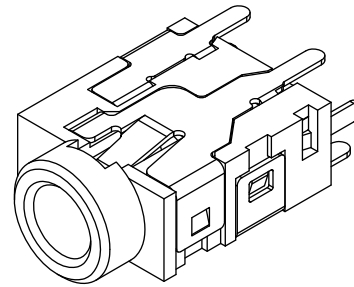


REV	DESCRIPTION	DATE
A	Initial Release	17.05.11



MODEL NO.	PJ3.5-DP-101
SCHEMATIC	



P.C.B LAYOUT
BOTTOM VIEW

RoHS Compliant

ITEM	DESCRIPTIONs	MATERIAL	FINISH	Q'TY
⑥	GND CONTACT	COPPER ALLOY	Tin	1
⑤	RING CONTACT	COPPER ALLOY	Tin	1
④	RING SHUNT	BRASS	Tin	1
③	TIP SHUNT	BRASS	Tin	1
②	TIP CONTACT	COPPER ALLOY	Tin	1
①	HOUSING	PBT(UL94V-0)		1

TOLERANCE UNLESS OTHERWISE STATED
 Up to 5 ±0.2
 Above 5 - 15 ±0.3
 Above 15 - 30 ±0.4
 Above 30 - 50 ±0.5
 Angle ±0.5

PANSTRONG COMPANY LTD.				DRAWN BY		TOMMY	
				CHECKED			
TITLE:		PHONE JACK		APPROVED			
PART NO:		PJ3.5-DP-101		DRAWING NO.			
SCALE		1:1		REV	A	UNIT	mm

