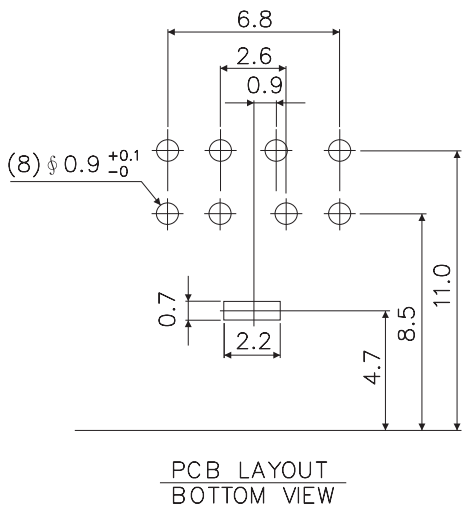
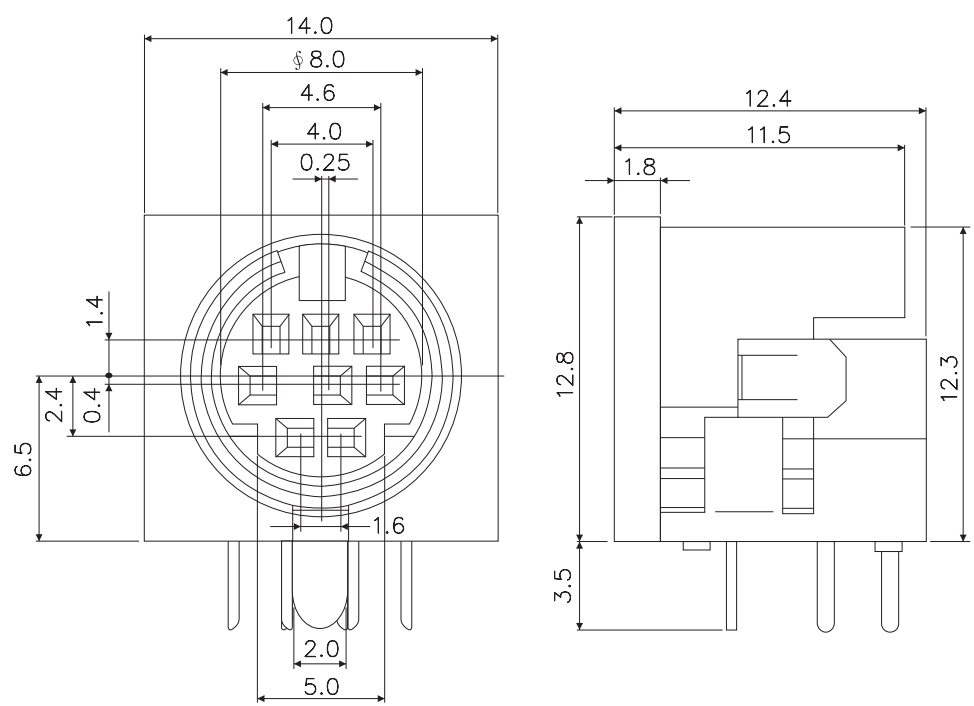


REV	DESCRIPTION	DATE
A	Initial Release	08'.10.22



SPECIFICATION:

- CURRENT CARRYING CAPACITY : 1) AC:100V 1A MAX.
2) DC:12V 2A MAX.
- CONTACT RESISTANCE : 30m OHM MAX.
- INSULATION RESISTANCE : 50M OHM MIN. AT DC 250V.
- VOLTAGE WITHSTANCE : 1.0KG - 4.5KG
- INSERTION FORCE : 1.0KG - 4.5KG
WITHDRAWAL FORCE : 0.8KG - 3.0KG

ARRANGEMENT OF CONTACTS						
NO OF CONTACTS	3	4	5	6	7	8
MODEL NO	MD01R-3FK002E	MD01R-4FK002E	MD01R-5FK002E	MD01R-6FK002E	MD01R-7FK002E	MD01R-8FK002E
HOLE LAYOUT						

P/N	PART NAME	Q'TY	MATERIAL	PLATING	REMARKS
4	CONTACT	8	PBR 0.2t	SILVER PLATED	
3	EARTH TERMINAL	1	BSR 0.4t	TIN	
2	COVER	1	P.B.T		UL94V-0
1	BODY	1	P.B.T		UL94V-0

PANSTRONG COMPANY LTD.				DRAWN BY	TOMMY
				CHECKED	TOMMY
TITLE:		Mini Din PCB Socket, T/H, Right Angle Square Contact		APPROVED	CAROL
PART NO:		MD01R-xFK002E		DRAWING NO.	
SCALE	/	REV	A	UNIT	mm