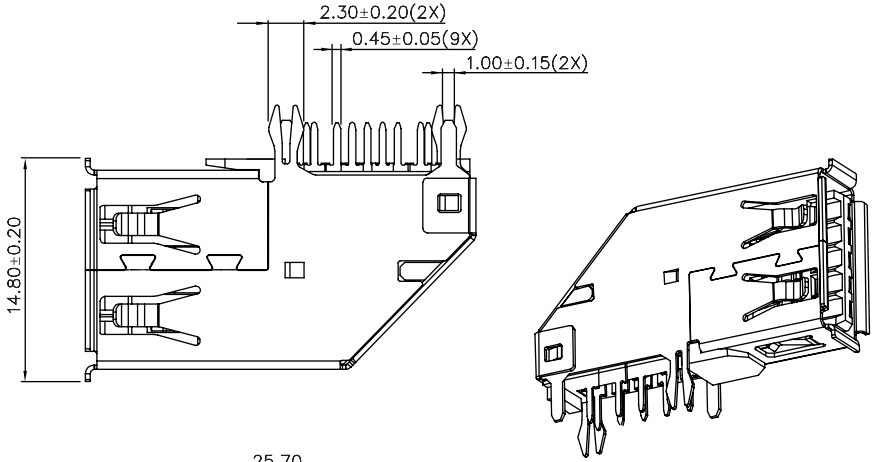
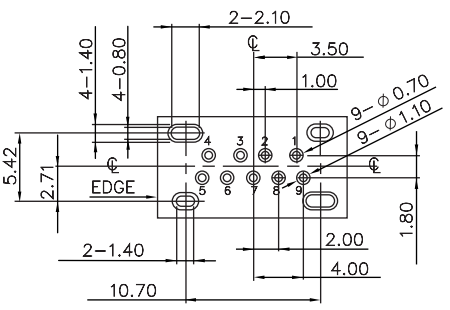
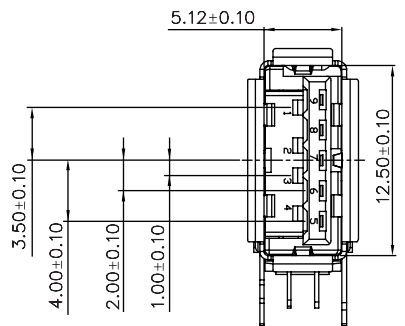
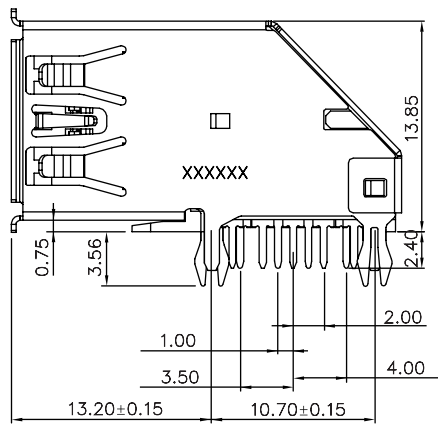
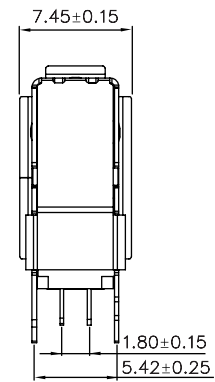
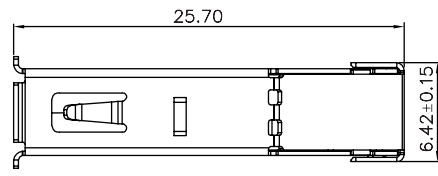


REV	DESCRIPTION	DATE
A	Initial Release	10.08.21



SPECIFICATIONS:
 Contact current Rating:
 1.8 Amperes for pin1&pin 4.
 0.25 Amperes other contacts
 Dielectric Withstanding Voltage:AC 100V(RMS)
 Insulation resistance:100Megohms Minimum.
 Contact Resistance:
 30m ΩHM Max for pin1&pin4
 50m ΩHM Max for other contacts
 Mechanical Characteristics:
 Mating Force:35 Newtons.Maximum
 Unmating Force:10 Newtons.Minimum.
 8N Min After Durability

Material:
 Housing: See table
 Contact: copper alloy(T=0.25mm)
 Shell: SUS
Plating:
 Contact: Au Plated on contact area
 Tin Plated on solder area
 Nickel underplating over all
 Shell: Nickel Plated
 Operating Temperature:-55°Cto+85°C



Part No.
 UB3AR04 - $\frac{9}{1} \frac{F}{2} \frac{B}{3} \frac{xx}{4} \frac{J}{5} - \frac{2}{6} \frac{x}{7}$

- UB3AR04: USB 3.0, A Type, Upright 90, Dip
- No. of Contacts: 9 Positions
- F: Female
- Insulator Color: B: Blue
- Contact Plating:
 01: Gold Flash
 15: 15u" Gold
 30: 30u" Gold
- Shell Plating: Nickel
- Housing Material
 Blank: PBT
 H: High Temp. LCP

PIN NUMBER	SIGNAL NAME	PIN NUMBER	SIGNAL NAME
1	VBUS	5	SSRX-
2	D-	6	SSRX+
3	D+	7	GND
4	GND	8	SSTX-
Shell	Shield	9	SSRT+

PANSTRONG COMPANY LTD.				DRAWN BY		TOMMY	
				CHECKED			
TITLE:		USB 3.0 9P Female, Dip Through Hole, Upright				APPROVED	
PART NO:		UB3AR04-9FBxxJ-2x				DRAWING NO.	
SCALE		1:1	REV	A	UNIT	mm	