

REV	DESCRIPTION	DATE
A	Initial Release	17.11.16

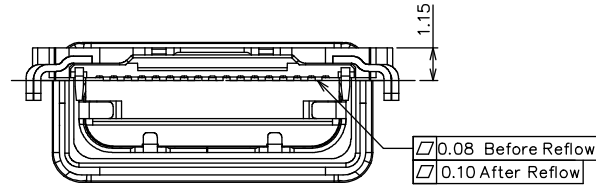
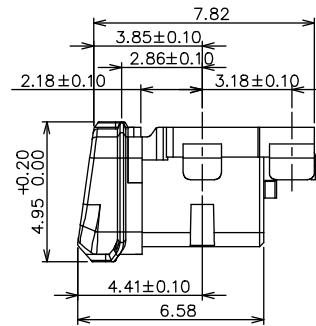
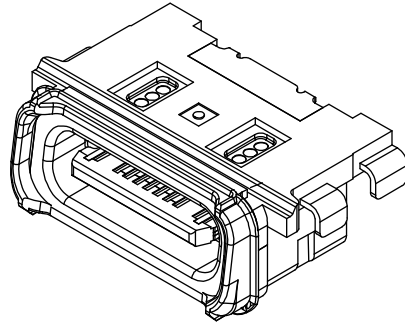
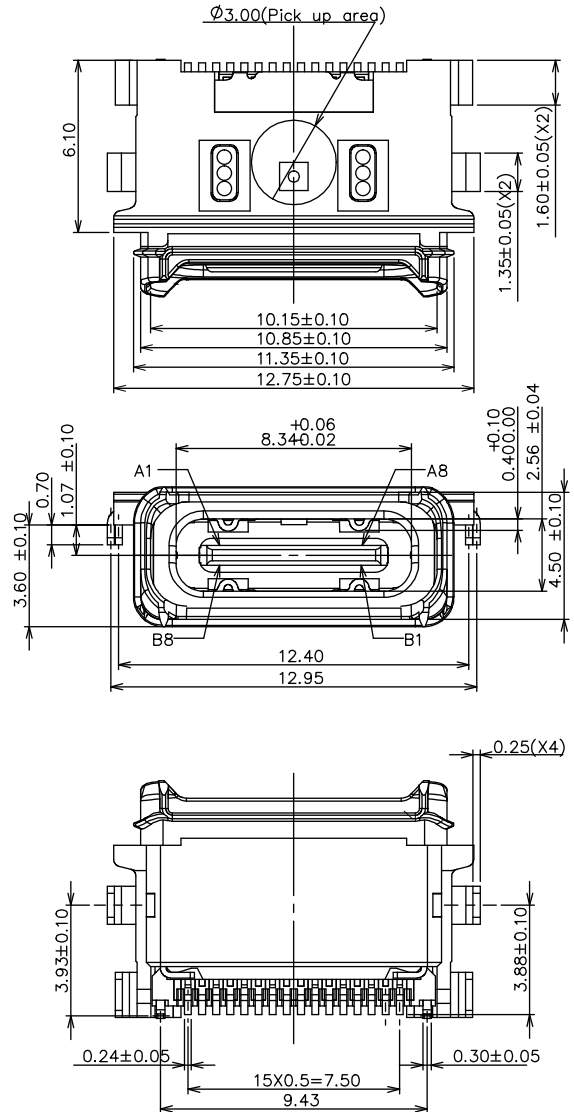
NOTES:

- 1.0 ELECTRICAL CHARACTERISTICS:
  - 1.1 LOW LEVEL CONTACT RESISTANCE:  
INITIAL: 40mOhm FOR ALL CONTACT MAX.  
AFTER: 50mOhm MAX.
  - 1.2 DIELECTRIC WITHSTANDING VOLTAGE:  
100 VAC OR 1 MINUTE SEE LEVEL
  - 1.3 INSULATION RESISTANCE:  
100MOhm MIN.
  - 1.4 CURRENT RATING:  
VBUS AND GND CONTACTS RATED AT 1.25A.  
PARALLELED OR A TOTAL OF 5A
- 2.0 MECHANICAL CHARACTERISTICS:
  - 2.1 INSERTION FORCE: 5N ~ 20N.
  - 2.2 EXTRACTION FORCE:  
INITIAL EXTRACTION FORCE 6TH CYCLES OF 8N ~ 20 N  
(1~5 INSERTION/EXTRACTION PRECONDITIONING CYCLES)  
DURABILITY 32TH EXTRACTION FORCE SHALL BE 33% OF  
THE INITIAL READING AND WITHIN THE RANGE 8 N ~ 20 N.  
(6 CYCLES ADDITIONAL 25 INSERTION/EXTRACTION CYCLES)  
AFTER DURABILITY 10,000 CYCLES OF 6N ~ 20N
  - 2.3 DURABILITY: 10,000 CYCLES
- 3.0 OPERATING TEMPERATURE: -55°C TO +85°C

PART NUMBER CODE  
 UB20CR03-PSR4-16 F K xx x x  
 1 2 3 4 5 6

1. Contact Positions:  
16: 16 pins
2. Contact Type:  
F: Female Receptacle
3. Insulator Color  
K: Black
4. Contact Plating:  
01: Selective G/F  
30: 30u" Selective Gold  
3G: 30u" Gold Front Contact, G/F Solder Tails
5. Shell Plating:  
N: Solderable Nickel
6. Packing :  
R: Tape & Reel

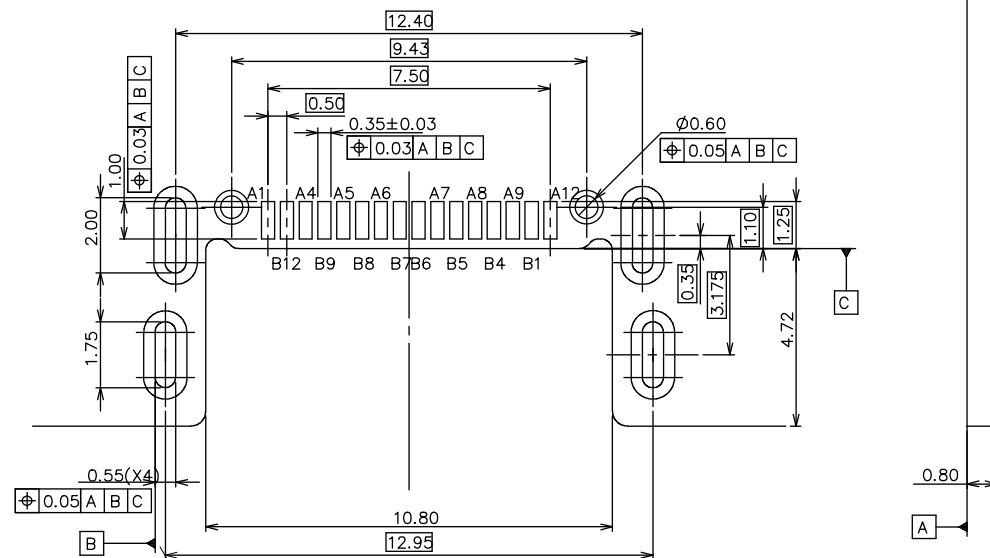
6	LSR	1	Silicone
5	PLASTIC SHELL	1	HIGH-TEMPERATURE PLASTIC,UL94-
4	OUTTER SHELL	1	STAINLESS STEEL/NI PLATED
3	GROUND PLATED	2	STAINLESS STEEL/NI PLATED
2	CONTACT	16	COPPER ALLOY/SEE TABLE A
1	HOUSING	1	HIGH-TEMPERATURE PLASTIC ,UL94
ITEM	NAME	Q'TY	MATERIAL / FINISH



TOLERANCES UNLESS OTHERWISE SPECIFIED  
 GENERAL: X .03-0.38  
 .X .03-0.25  
 .XX .03-0.25  
 .XXX .03-0.25  
 .X .03-0.25  
 .X .03-0.25  
 .XX .03-0.25  
 .XXX .03-0.25  
 ANGLES: X .03-0.25  
 .X .03-0.25  
 .XX .03-0.25  
 .XXX .03-0.25

		DRAWN BY		TOMMY
		CHECKED		
TITLE:		USB 2.0 Type-C 16Pin Receptacle, Mid Mount CH=1.07, IPX4, Plastic Shell with LSR, SMT Type		APPROVED
PART NO:		UB20CR03-PSR4-16FKxxxx		DRAWING NO.
SCALE	6:1	REV	A	UNIT mm

REV	DESCRIPTION	DATE
A	Initial Release	17.11.16



RECOMMENDED PCB LAYOUT  
TOLERANCE ±0.05

PIN NO.	A1	A4	A5	A6	A7	A8	A9	A12
SIGNAL NAME	GND	VBUS	CC1	Dp1	Dn1	SBU1	VBUS	GND
PIN NO.	B12	B9	B8	B7	B6	B5	B4	B1
SIGNAL NAME	GND	VBUS	SBU2	Dn1	Dp1	CC2	VBUS	GND

TOLERANCES UNLESS OTHERWISE SPECIFIED  
GENERAL: X .038  
.X .025  
.XX .015  
XXX .009  
ANGLES: X .25.0°  
.X .12.0°  
.XX .51.0°

				DRAWN BY		TOMMY	
				CHECKED			
TITLE:		USB 2.0 Type-C 16Pin Receptacle, Mid Mount CH=1.07, IPX4, Plastic Shell with LSR, SMT Type				APPROVED	
PART NO:		UB20CR03-PSR4-16FKxxxx				DRAWING NO.	
SCALE		6:1	REV	A	UNIT	mm	