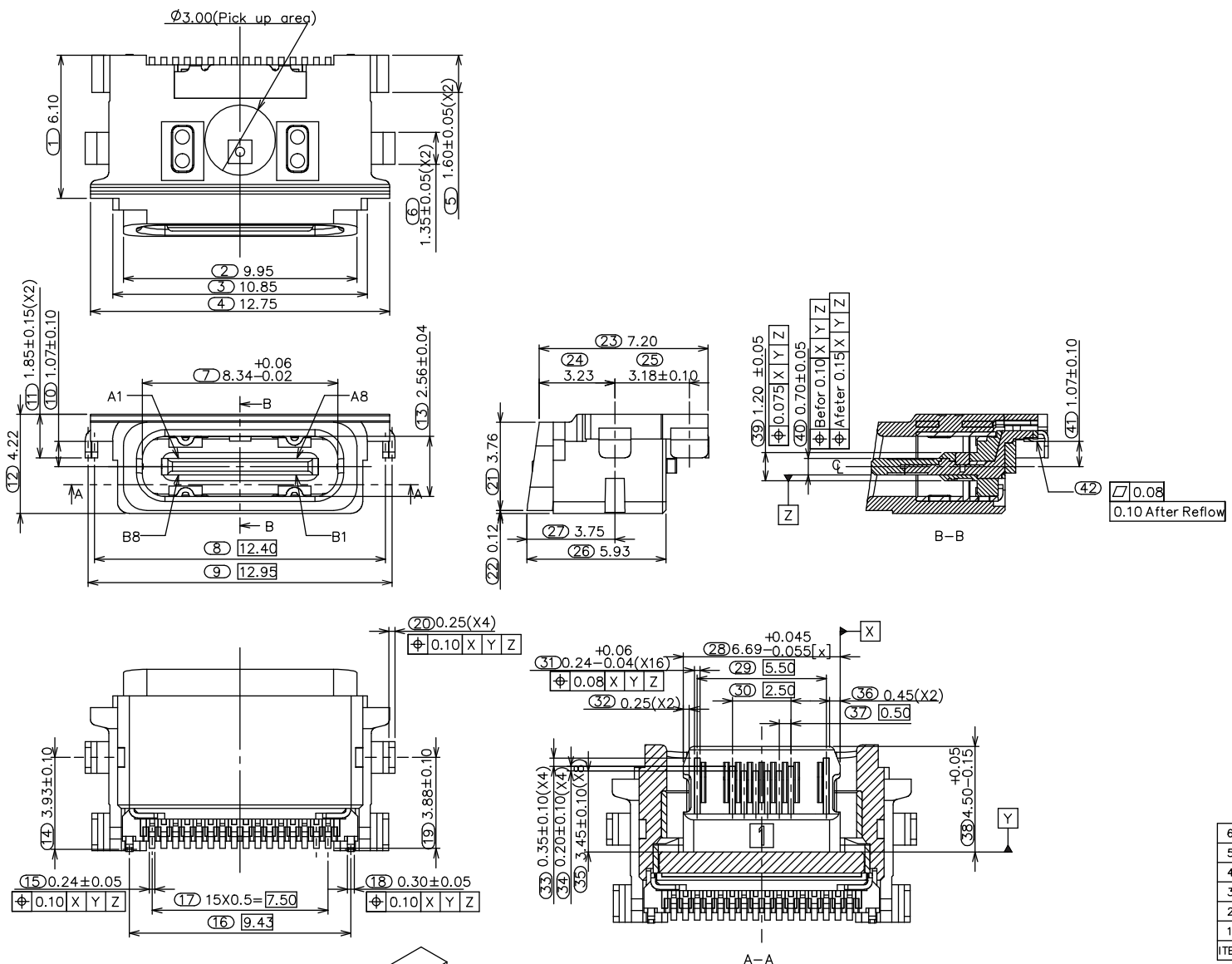


REV	DESCRIPTION	DATE
A	Initial Release	16.08.08



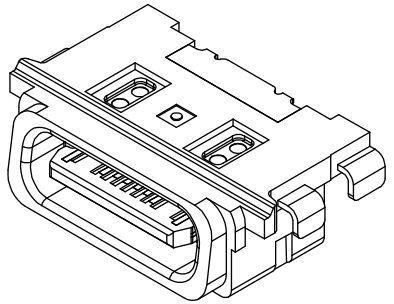
NOTES:

- 1.0 ELECTRICAL CHARACTERISTICS:
- 1.1 LOW LEVEL CONTACT RESISTANCE:  
INITIAL: 40mOhm FOR ALL CONTACT MAX.  
AFTER: 50mOhm MAX.
- 1.2 DIELECTRIC WITHSTANDING VOLTAGE:  
100 VAC OR 1 MINUTE SEE LEVEL
- 1.3 INSULATION RESISTANCE:  
100MOhm MIN.
- 1.4 CURRENT RATING:  
VBUS AND GND CONTACTS RATED AT 1.5A.  
PARALLELED OR A TOTAL OF 3A
- 2.0 MECHANICAL CHARACTERISTICS:
- 2.1 INSERTION FORCE: 5N MIN. 20N MAX.
- 2.2 EXTRACTION FORCE:  
DURABILITY 1~1,000 CYCLES 8N MIN. 20N MAX.  
DURABILITY 1,001~10,000 CYCLES 6N MIN. 20N MAX.
- 2.3 DURABILITY: 10,000 CYCLES
- 3.0 OPERATING TEMPERATURE: -40°C TO +85°C

PART NUMBER CODE  
UB20CR03-PSP4-16 F K xx x x  
1 2 3 4 5 6

1. Contact Positions:  
16: 16 pins
2. Contact Type:  
F: Female Receptacle
3. Insulator Color:  
K: Black
4. Contact Plating:  
01: Selective G/F  
30: 30u" Selective Gold  
3G: 30u" Gold Front Contact, G/F Solder Tails
5. Shell Plating:  
N: Solderable Nickel
6. Packing :  
R: Tape & Reel

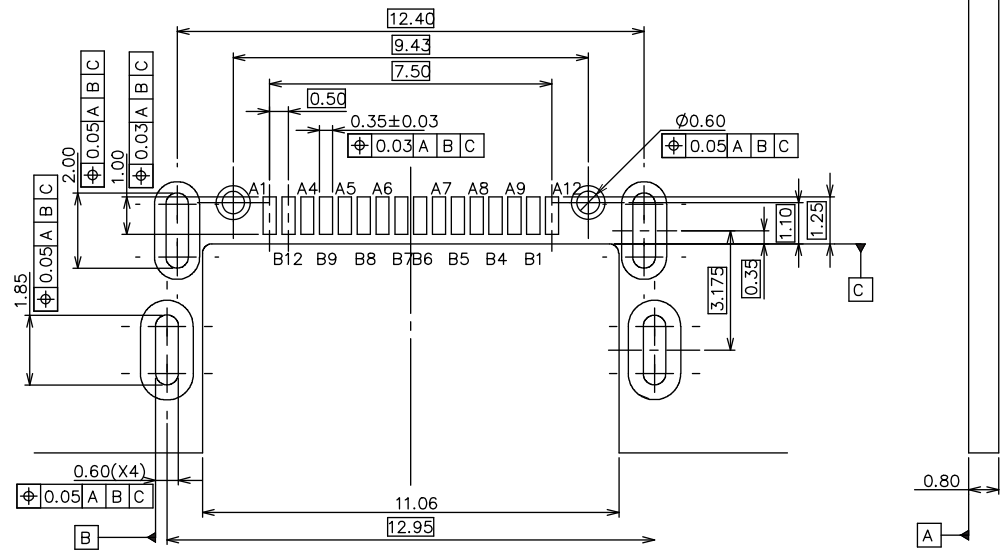
6	PLASTIC SHELL	1	HIGH-TEMPERATURE PLASTIC ,UL94-V0
5	OUTTER SHELL	1	STAINLESS STEEL/NI PLATED
4	SHELL	1	STAINLESS STEEL/NI PLATED
3	GROUND PLATED	2	STAINLESS STEEL/NI PLATED
2	CONTACT	16	COPPER ALLOY/SEE TABLE A
1	HOUSING	1	HIGH-TEMPERATURE PLASTIC,UL94-V0
ITEM	NAME	Q'TY	MATERIAL / FINISH



TOLERANCES UNLESS OTHERWISE SPECIFIED  
GENERAL: X ±0.38  
X ±0.25  
XX ±0.15  
XXX ±0.09  
2.0°  
ANGLES: X ±0.07  
XX ±0.07

PANSTRONG COMPANY LTD.		DRAWN BY		TOMMY
		CHECKED		
TITLE:		USB 2.0 Type-C 16 Pin Receptacle Mid Mount CH=1.07 IPX4, Plastic Shell, SMT Type		APPROVED
PART NO:		UB20CR03-PSP4-16FKxxxx		DRAWING NO.
SCALE	6:1	REV	A	UNIT mm

REV	DESCRIPTION	DATE
A	Initial Release	16.08.08



RECOMMENDED PCB LAYOUT  
TOLERANCE ±0.05

PIN NO.	A1	A4	A5	A6	A7	A8	A9	A12
SIGNAL NAME	GND	VBUS	CC1	Dp1	Dn1	SBU1	VBUS	GND
PIN NO.	B12	B9	B8	B7	B6	B5	B4	B1
SIGNAL NAME	GND	VBUS	SBU2	Dn1	Dp1	CC2	VBUS	GND

TOLERANCES UNLESS OTHERWISE SPECIFIED  
 GENERAL: X .038  
 .X .025  
 .XX .015  
 .XXX .009  
 ANGLES: X .°  
 .X .5°  
 .XX .01°

		DRAWN BY		TOMMY
		CHECKED		
TITLE:		USB 2.0 Type-C 16 Pin Receptacle Mid Mount CH=1.07 IPX4, Plastic Shell, SMT Type		
PART NO:		UB20CR03-PSP4-16FKxxxx		
SCALE		6:1	REV	A
UNIT	mm			