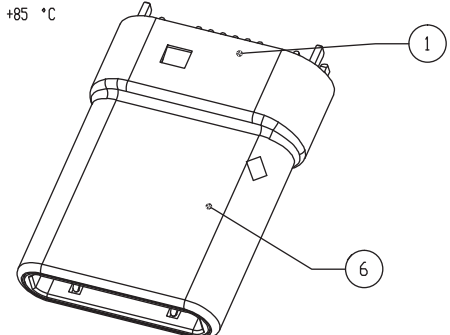
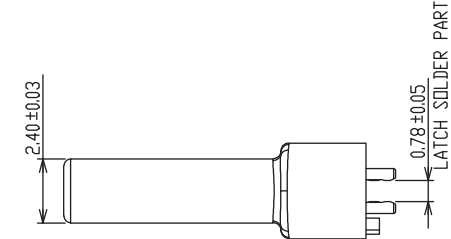
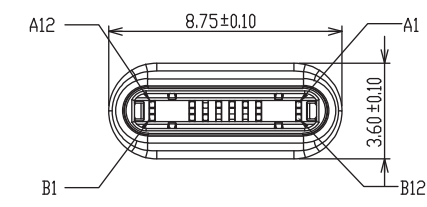
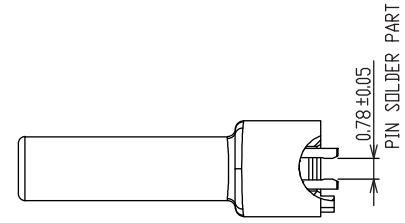
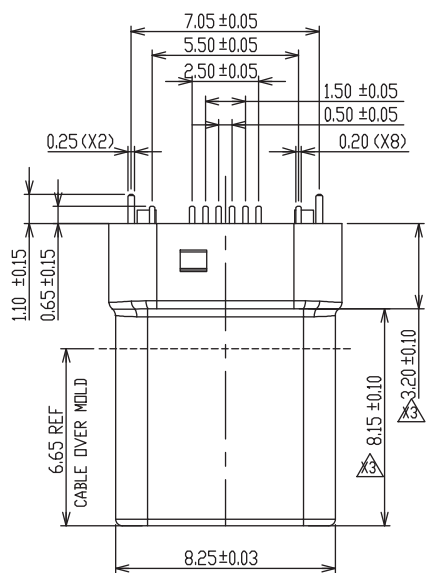


REV	DESCRIPTION	DATE
A	Initial Release	18.04.13



NOTES:

1.0 ELECTRICAL CHARACTERISTICS:

1.1 LOW LEVEL CONTACT RESISTANCE:  
INITIAL: 40mΩ FOR ALL CONTACT MAX.  
AFTER: 50mΩ MAXIMUM

1.2 DIELECTRIC WITHSTANDING VOLTAGE:  
100 VAC FOR 1 MINUTE SEA LEVEL

1.3 INSULATION RESISTANCE:  
100MΩ MIN.

1.4 CURRENT RATING:  
VBUS AND GND CONTACTS RATED AT 1.25A EA.  
PARALLELED FOR A TOTAL OF 5A

2.0 MECHANICAL CHARACTERISTICS:

2.1 INSERTION FORCE: 1~10000CYCLES 5N ~ 20N

2.2 EXTRACTION FORCE:  
INITIAL 6TH CYCLES OF 8~20N  
(1~5 INSERTION/EXTRACTION PRECONDITIONING CYCLES)  
DURABILITY 32TH EXTRACTION FORCE SHALL BE 33% OF THE INITIAL  
READING AND WITHIN RANGE 8~20N  
(6 CYCLES ADDITIONAL 25 INSERTION/EXTRACTION CYCLES)  
AFTER DURABILITY 10,000 CYCLES OF 6~20N

2.3 DURABILITY: 10,000 CYCLES

3.0 OPERATING TEMPERATURE: -55°C TO +85 °C

PART NUMBER CODE  
UB20C11B- 12 M KH xx xx  
1 2 3 4 5 6

1. Contact Positions:  
12: 12 pins

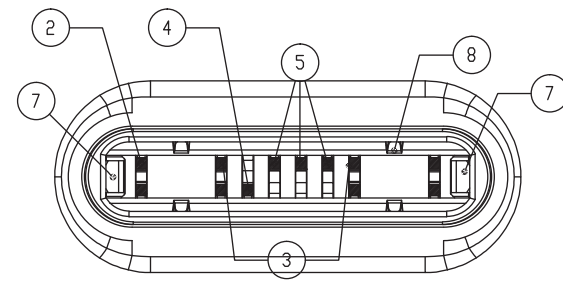
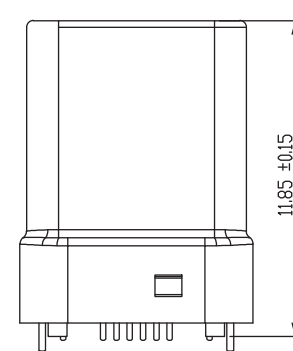
2. Contact Type:  
M: Male Plug

3. Insulator Housing:  
KH: Black PA-46

4. Contact Plating:  
01: Selective G/F  
30: Selective 30u" Gold

5. Shell Plating:  
N: Solderable Nickel

6. PCB:  
A: USB 2.0 C to A, Package in Tray



8	EMI SPRING	2	STAINLESS STEEL
7	LATCH	1	STAINLESS STEEL/NICKEL
6	SHELL	1	STAINLESS STEEL/SEE PRODUCT NUMBER
5	CONTACT (DATA+CC)	3	COPPER ALLOY/SEE PRODUCT NUMBER
4	CONTACT (VCDNN)	1	COPPER ALLOY/SEE PRODUCT NUMBER
3	CONTACT (V-bus)	2	COPPER ALLOY/SEE PRODUCT NUMBER
2	CONTACT (GND)	2	COPPER ALLOY/SEE PRODUCT NUMBER
1	HOUSING	1	PA46 HF UL94-V0/BLACK
ITEM	NAME	Q'TY	MATERIAL / FINISH

PIN ASSIGNMENT												
PIN NO	A12	A11	A10	A9	A8	A7	A6	A5	A4	A3	A2	A1
SIGNAL NAME	GND			VBUS		D-	D+	CC	VBUS			GND
SIGNAL NAME	GND			VBUS	VCDNN				VBUS			GND
PIN NO	B1	B2	B3	B4	B5	B6	B7	B8	B9	B10	B11	B12

TOLERANCES UNLESS OTHERWISE SPECIFIED  
GENERAL: X ±0.38, X ±0.25, X ±0.13, XXX ±0.20, X\* ±0.25, XX\* ±0.20, XX\* ±0.10\*

**PANSTRONG COMPANY LTD.**

**TITLE:** USB 2.0 TYPE C PLUG TUBE SHELL TYPE

**PART NO:** UB20C11B-12MKHxxxx

**SCALE:** /

**REV:** A

**DRAWN BY:** TOMMY

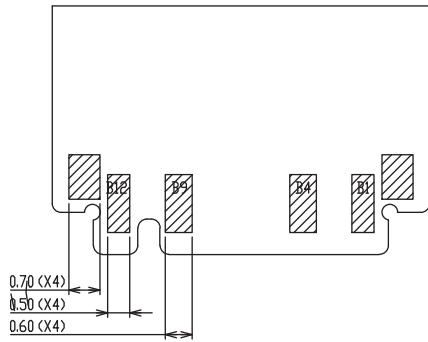
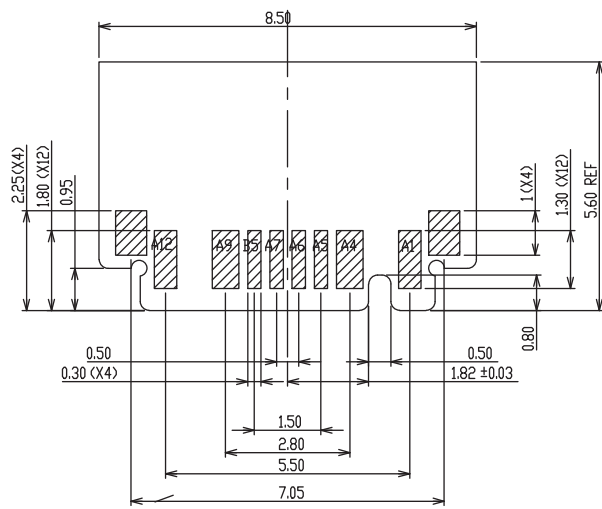
**CHECKED:**

**APPROVED:**

**DRAWING NO.:**

**UNIT:** mm

REV	DESCRIPTION	DATE
A	Initial Release	18.04.13



RECOMMEND PCB LAYOUT(BOTTOM VIEW)  
TOLERANCE UNSPECIFIED=±0.05



PANSTRONG COMPANY LTD.

DRAWN BY TOMMY

CHECKED

TITLE:

USB 2.0 TYPE C PLUG  
TUBE SHELL TYPE

APPROVED

PART NO:

UB20C11B-12MKHxxxx

DRAWING NO.

SCALE

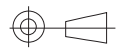
/

REV

A

UNIT

mm



TOLERANCES UNLESS OTHERWISE SPECIFIED	
GENERAL	X ±0.08
	X ±0.20
	XX ±0.13
	XXX ±0.05
ANGLES	X* ±0.5°
	X* ±0.1°
	XX* ±1.0°