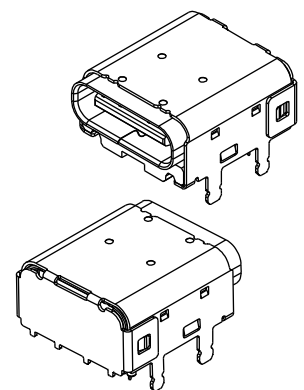
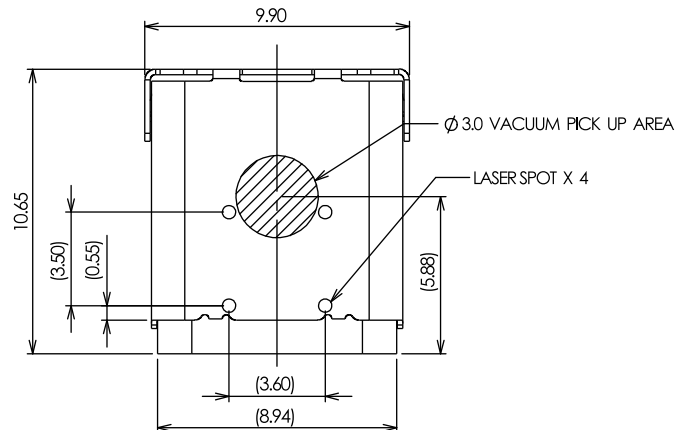


REV	DESCRIPTION	DATE
A	Initial Release	16.05.17



NOTES:

1.0 ELECTRICAL CHARACTERISTICS:

1.1 LOW LEVEL CONTACT RESISTANCE:
INITIAL:40mOhm FOR ALL CONTACT MAX.
AFTER:10mOhm MAX. CHANGE.

1.2 DIELECTRIC WITHSTANDING VOLTAGE:
100 VA FOR 1 MINUTE SEA LEVEL.

1.3 INSULATION RESISTANCE:
100MOhm MIN.

1.4 CURRENT RATING:
VBUS AND GND CONTACTS RATED AT 1.25A
PARALLEL FOR A TOTAL OF 5A

2.0 MECHANICAL CHARACTERISTICS:

2.1 INSERTION FOR FORCE: 5N MIN. 20N MAX.

2.2 EXTRACTION FOREC:
DURABILITY 1~1,000 CYCLES 8N MIN. 20N MAX.
DURABILITY 1,001~10,000 CYCLES 6N MIN. 20N. MAX.

2.3 DURABILITY: 10,000 CYCLES

3.0 OPERATING TEMPERATURE: -55°C~+85°C

PART NUMBER CODE
UB31CR31 - H34 F K xx x
1 2 3 4 5

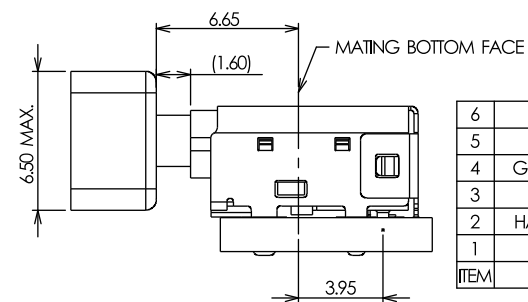
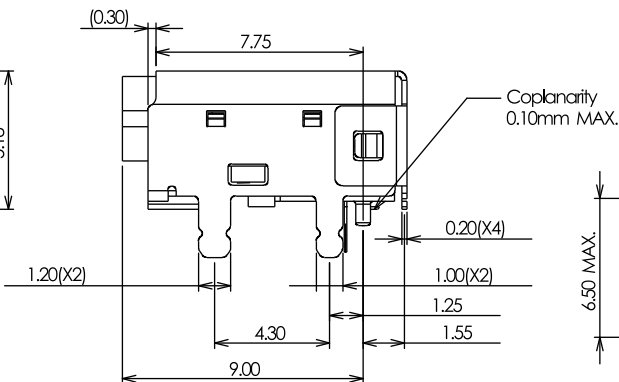
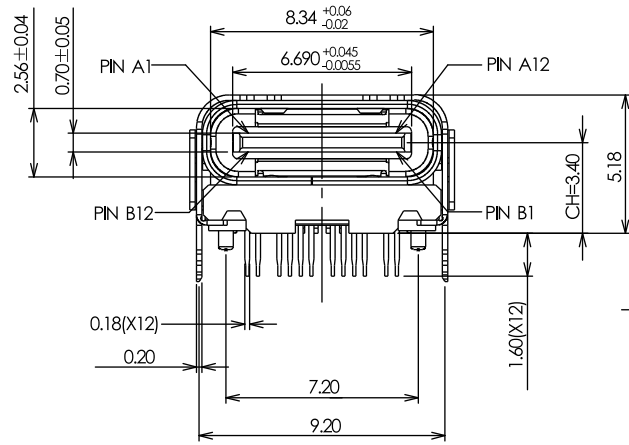
1. Contact Positions:
34 : 34 pins

2. Contact Type:
F : Female Receptacle

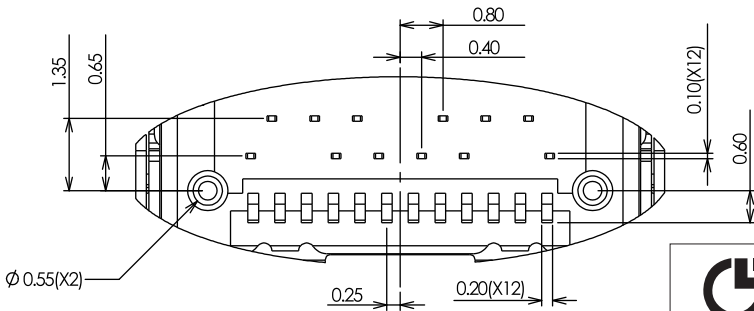
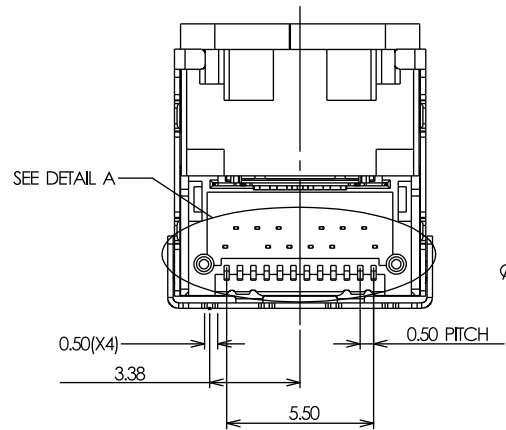
3. Insulator Color:
K : Black

4. Contact Plating:
01 : Selective G/F
30 : Selective 30u" Gold

5. Shell Plating:
N : Solderable Nickel



6	SHELL	2	METAL/Ni PLATED
5	EMI Pad	2	METAL/Ni PLATED
4	GROUND PLATE	1	METAL/Ni PLATED
3	CONTACT	24	COPPER ALLOY/AU PLATED
2	HALF PRODUCT	1	HI-TEMP. G.F., UL94V-0
1	HOLDER	1	HI-TEMP. G.F., UL94V-0
ITEM	NAME	QTY	MATERIAL/FINISH



PIN NO.	A1	A2	A3	A4	A5	A6	A7	A8	A9	A10	A11	A12
SIGNAL NAME	GND	SSTxp1	SSTXn1	VBUS	CC1	Dp1	Dn1	SBU1	VBUS	SSRXn2	SSRXp2	GND
PIN NO.	B12	B11	B10	B9	B8	B7	B7	B5	B4	B3	B2	B1
SIGNAL NAME	GND	SSRXp1	SSRXn1	VBUS	SBU2	Dn2	Dn2	CC2	VBUS	SSTXn2	SSTXp2	GND



PANSTRONG COMPANY LTD.

DRAWN BY TOMMY

CHECKED

TITLE: USB TYPE C 3.1(10Gbs)CONN. RECEPTACLE-TOP MOUNT TYPE CH=3.40mm

APPROVED

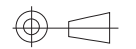
PART NO: UB31CR31-H34FKxxx

DRAWING NO.

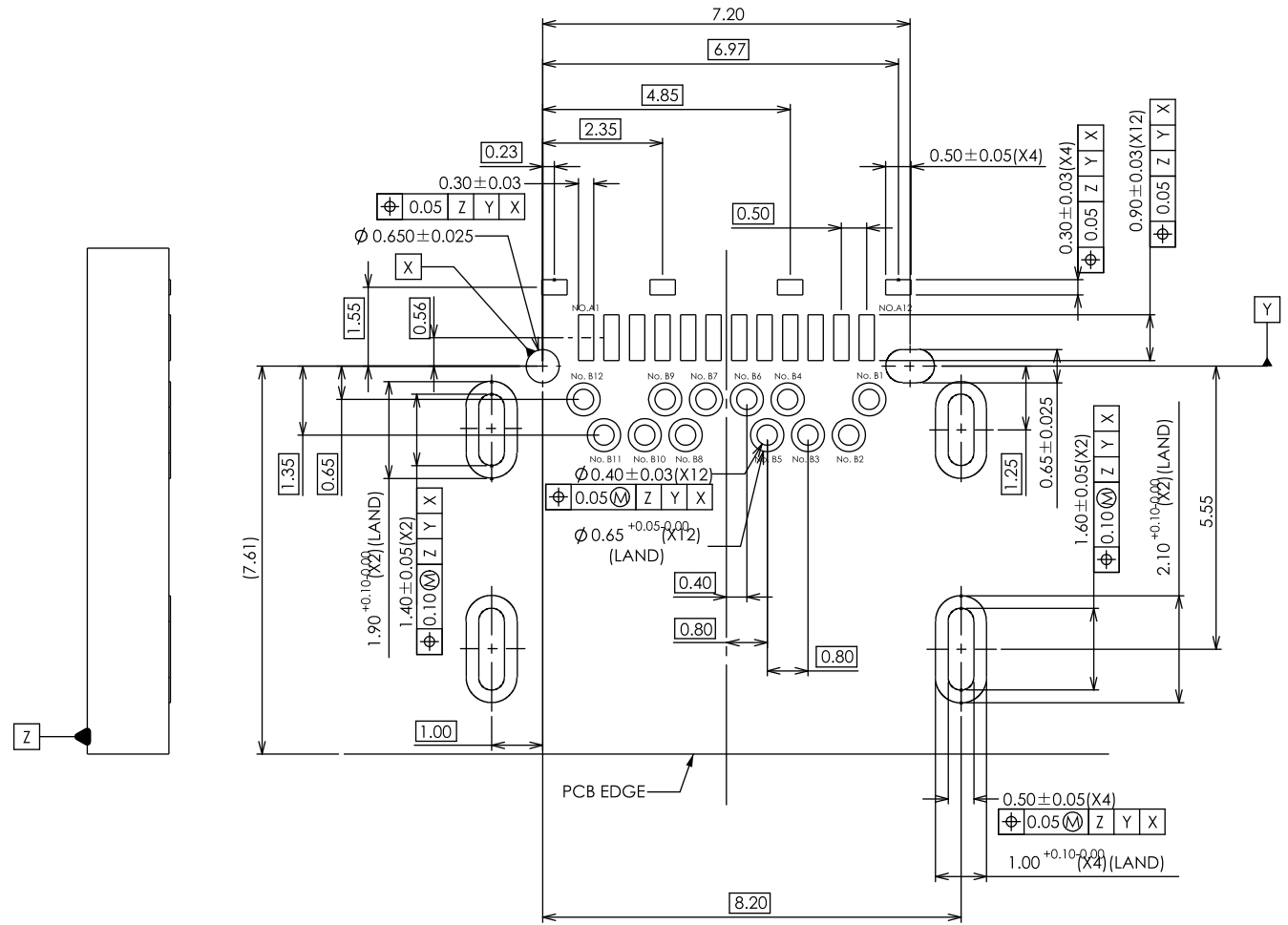
SCALE 5:1 REV A

UNIT mm

TOLERANCES UNLESS OTHERWISE SPECIFIED	
GENERAL	±0.38
X	±0.25
XX	±0.13
XXX	±0.05
X.X	±0.07
X.X	±0.20
XX	±1.0
ANGLES	
X	±1.0
XX	±1.0




REV	DESCRIPTION	DATE
A	Initial Release	16.05.17



RECOMMENDED PCB LAYOUT
THICKNESS IS 1.60mm
TOLERANCE ± 0.05

TOLERANCES UNLESS OTHERWISE SPECIFIED	
GENERAL	±0.38
X	±0.25
XX	±0.13
XXX	±0.05
X''	±3.0°
X'''	±2.0°
XX'	±1.0°

 PANSTRONG COMPANY LTD.	DRAWN BY		TOMMY
	CHECKED		
TITLE:	USB TYPE C 3.1(10Gbs)CONN. RECEPTACLE-TOP MOUNT TYPE CH=3.40mm		APPROVED
PART NO:	UB31CR31-H34FKxxx		DRAWING NO.
SCALE	5:1	REV	A
UNIT	mm	