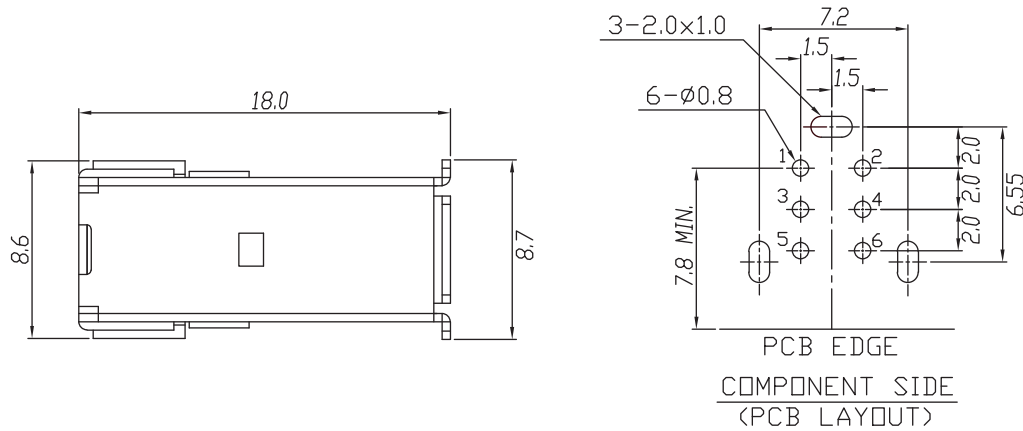
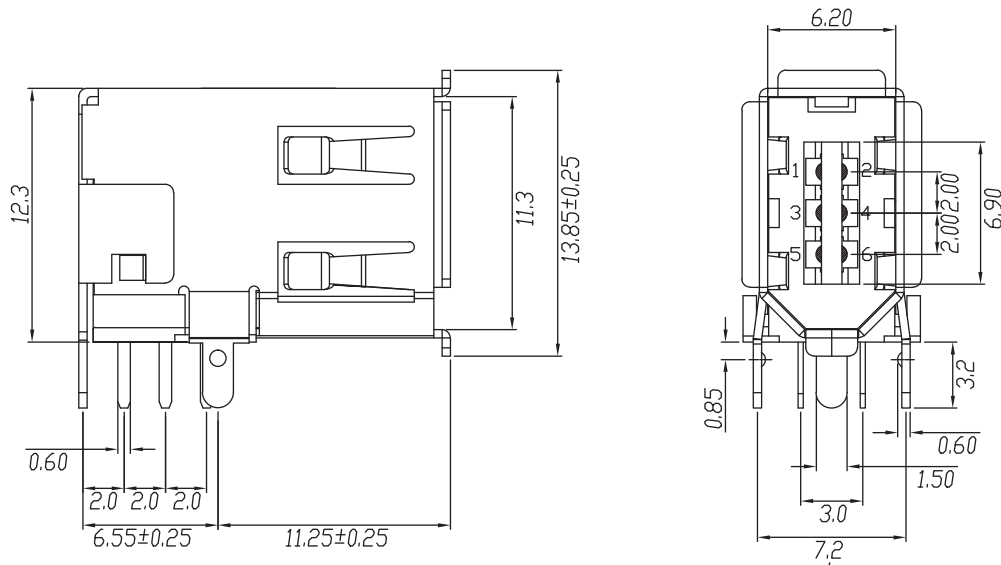


REV	DESCRIPTION	DATE
A	Initial Release	10'.04.23
B	Drawings Update	16'.07.22



Specification:  
 Contact Resistance: 30m Ohm Max.  
 Insulation Resistance: 100M Ohm Min.  
 Voltage - Max;40V Maximum.  
 Current - Max:1.5A Maximum.  
 Dielectric Withstanding Voltage: 500V AC for 1 Minute  
 Durability (Life Test): 1500 Cycles  
 Unmating Force: 9.8 Newton TO 39.2 Newton Maximum.



NO.	NAME	MATERIAL	FINISH	REMARK	Q'TY
1	HOUSING	PBT G.F.	WHITE		1
2	PIN TERMINAL	BRASS; t±0.25	GOLD/TIN PLATED	Gold:30u" NI:40~60 u" TIN:120u" (100% pure Tin of lead free plating)	6
3	SHELL	BRASS; t±0.4	NICKEL PLATED	NI:80~120u"	1
4	BOTTOM COVER	PBT G.F.	WHITE		1

PART NO.	INSULATOR COLOR
FWR04-6FW30J-2	WHITE
FWR04-6FK30J-2	BLACK

**Green Product**

PANSTRONG COMPANY LTD.				DRAWN BY		TOMMY	
				CHECKED			
TITLE:		1394 6P Receptacle, Through Hole, Upright				APPROVED	
PART NO:		FWR04-6F*30J-2				DRAWING NO.	
SCALE		1:1	REV	B	UNIT	mm	