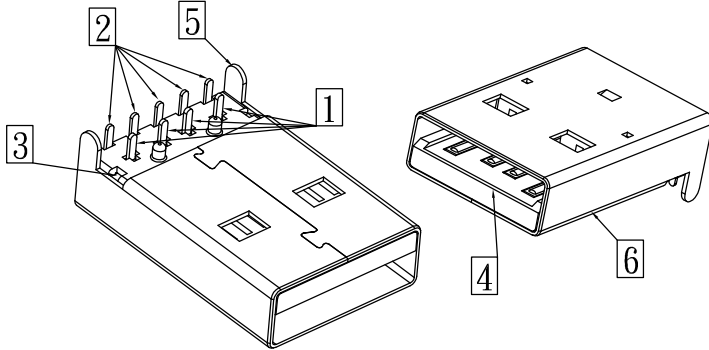
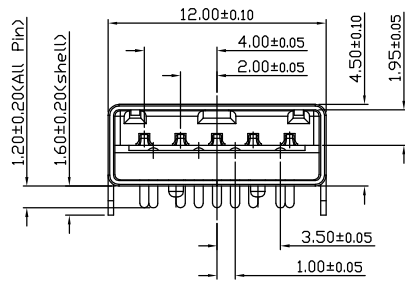
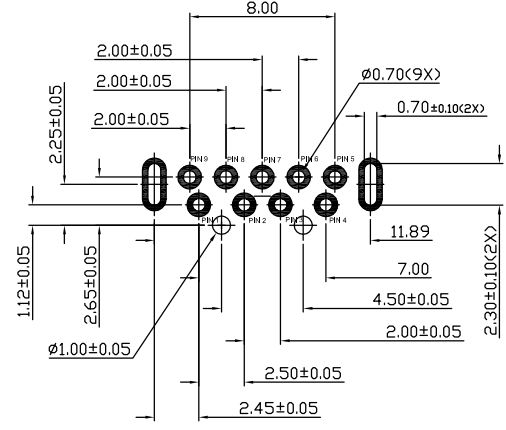
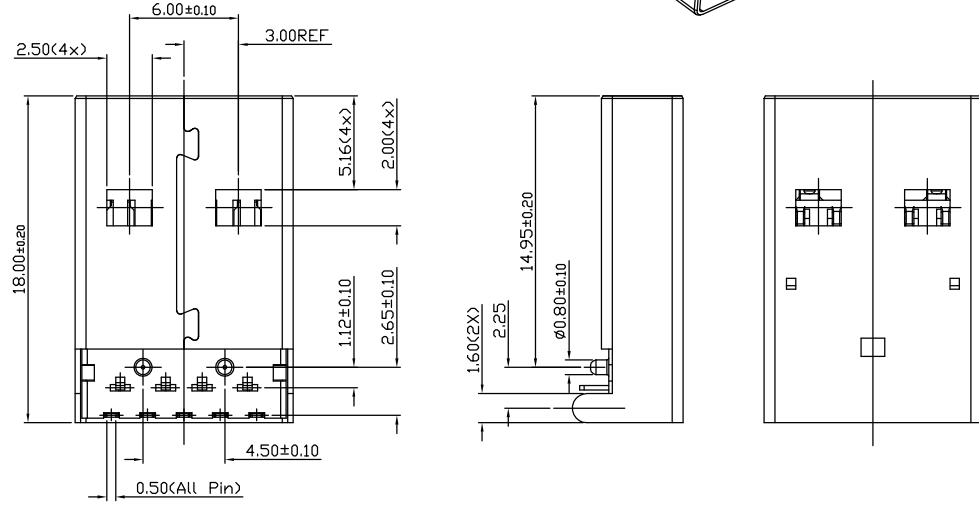


REV	DESCRIPTION	DATE
A	Initial Release	09.12.01



ELECTRICAL CHARACTERISTICS:  
 30V DC/AC 1A Max.  
 CONTACT RESISTANCE: 30mΩ Max.  
 INSULATION RESISTANCE:  
 100MΩ Min.at 500V DC.  
 DIELECTRIC STRENGTH:  
 750V AC/1 minute.  
 INSERTION FORCE:3.6kgf MAX  
 WITHDRAWAL:1.0kgf MIN



REFERENCE PCB LAYOUT

PART NO. UB3AR01 - 9 M B xx x  
 1 2 3 4 5 6

- UB3AR01: 3.0 USB A Type, Through Hole, Right Angle
- No. of Contacts: 9 Positions
- M: Plug
- Inuslator Color: B: Blue
- Contact Plating:  
 01: Selective Gold Flash  
 15: 15u" Selective Gold  
 30: 30u" Selective Gold
- Shell Plating:  
 J: Nickel

Tolerance unless otherwise specified

X	± 0.50	X'	± 5'
XX	± 0.30	XX'	± 2'
XXX	± 0.20	XXX'	± 0.5'
XXXX	±		

PANSTRONG COMPANY LTD.		DRAWN BY		TOMMY	
		CHECKED			
TITLE:		USB 3.0 A Type Male DIP		APPROVED	
PART NO:		UB3AR01-9MB		DRAWING NO.	
SCALE		2:1	REV	A	UNIT
					mm

USB3-AMAP-XD3