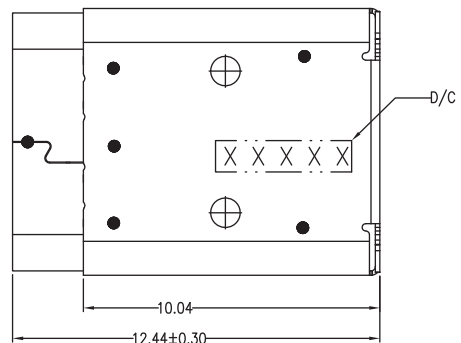
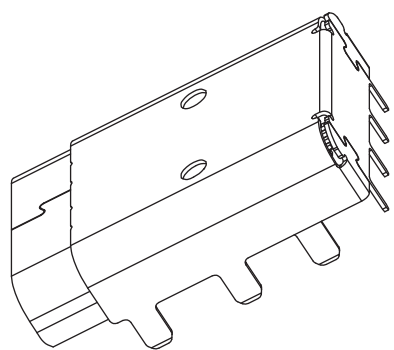
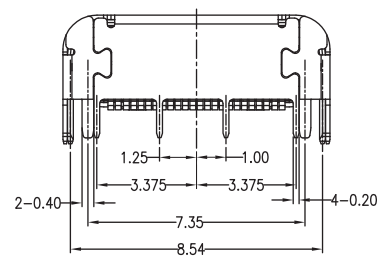
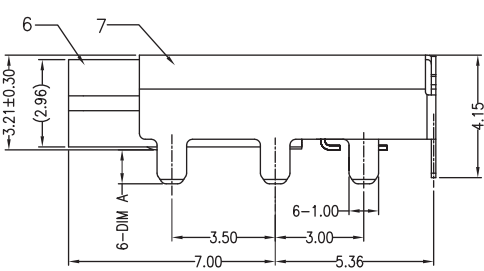
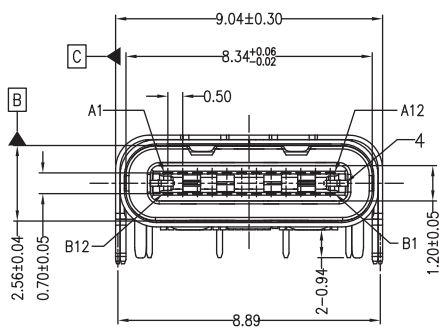


| REV | DESCRIPTION                    | DATE      |
|-----|--------------------------------|-----------|
|     | Initial Release                | 14'.09.29 |
| A   | ADD WITH LOGO PART NO          | 14'.12.26 |
|     | ADD PIN NO.                    | 15'.01.14 |
| B   | Update the Part No. and DIM. A | 15'.08.26 |

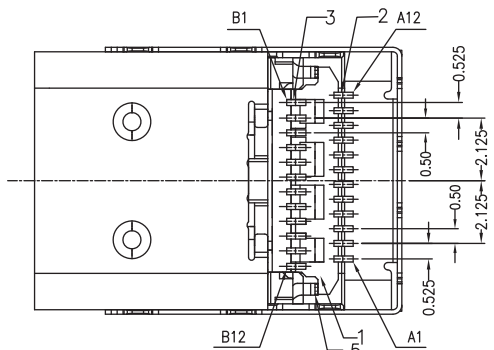
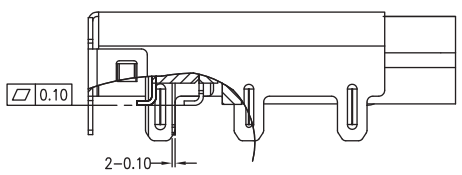


PART NO.  
 UB31CR33-  $\frac{24}{1}$   $\frac{F}{2}$   $\frac{K}{3}$   $\frac{xx}{4}$   $\frac{x}{5}$  -  $\frac{X}{6}$

- Contact Positions:  
24: 24 pins
- Contact Type:  
F: Female Receptacle
- Insulator Color  
K: Black
- Contact Plating:  
01: Selective G/F  
30: Selective 30u" Gold
- Shell Plating:  
N: Solderable Nickel
- PCB Thickness (DIM A)  
Blank : 1.2mm  
B : 1.6mm



| ITEM | DESC.         | MATERIAL           | REMARKS | PART REMARKS   |
|------|---------------|--------------------|---------|--|
| 7    | OUTSIDE SHELL | SUS304-1/2H T=0.15 |         | OVER-PLATING Ni 30~100u"   |
| 6    | MAIN SHELL    | SUS304-1/2H T=0.20 |         |  |
| 5    | GND_PLATE 1   | SUS301-1/2H T=0.10 |         |  |
| 4    | GND_PLATE 2   | SUS301-1/2H T=0.20 |         |  |
| 3    | BOT TERMINAL  | C7025-TM03 T=0.15  |         | CONTACT AREA: Au 30u"<br>SOLDER AREA: Au 2u"<br>UNDER-PLATING: Ni 30u" |
| 2    | TOP TERMINAL  |                    |         |  |
| 1    | HOUSING       | LCP MG350          |         | COLOR:BLACK  |



RoHS Compliant

TOLERANCES

|      |        |
|------|--------|
| .X   | =±0.50 |
| .X   | =±0.25 |
| .XX  | =±0.20 |
| .XXX | =±0.05 |
| X'X  | =±1'   |
| X.XX | =±0.5' |

|                        |  |             |       |
|------------------------|--|-------------|-------|
| PANSTRONG COMPANY LTD. |  | DRAWN BY    | TOMMY |
|                        |  | CHECKED     |       |
| TITLE:                 | USB C RECEPTACLE SMT ON-BOARD TYPE CONNECTOR | APPROVED    |       |
| PART NO:               | UB31CR33-24FKxx x-X                          | DRAWING NO. |       |
| SCALE                  | /  | REV         | B     |
|                        |  | UNIT        | mm    |
|                        |  |             |       |