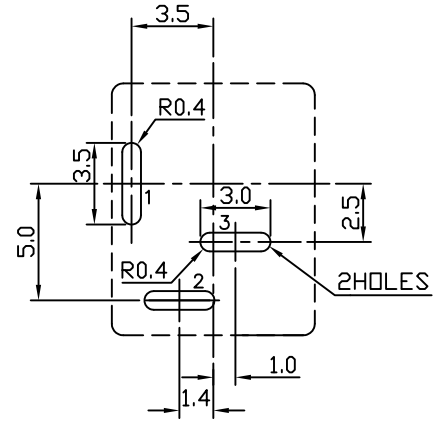
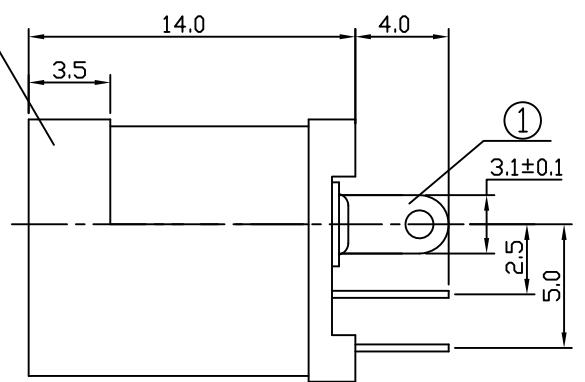
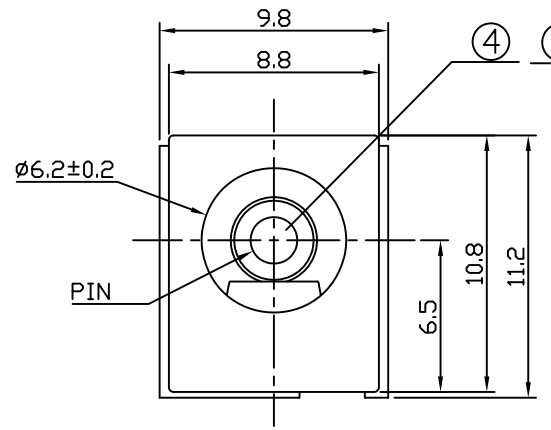
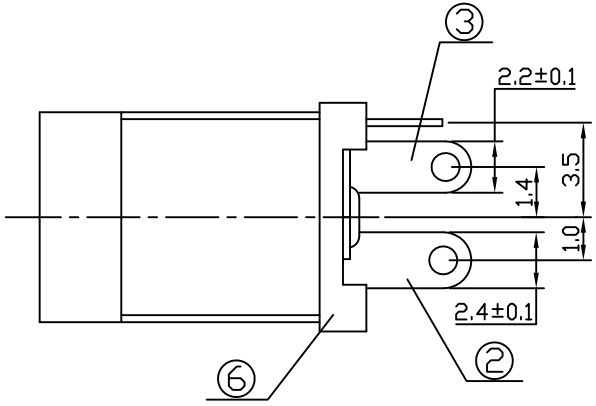
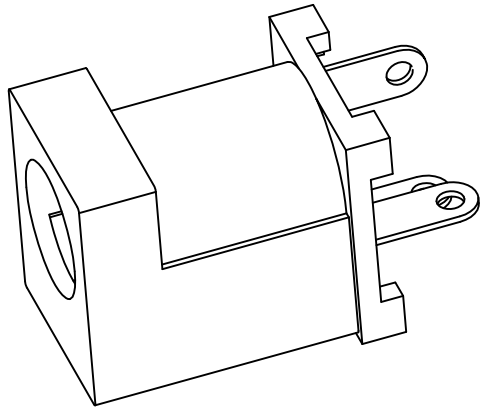


REV	DESCRIPTION	DATE
A	Initial Release	09'.04.14



T:1.6 Dimensions of PC board holes  
Tolerance : ±0.1(Printed-top view)

PART NO.	PIN	SCHEMATIC
DJ-020-DP-16A	∅2.0	
DJ-020-DP-16B	∅2.5	

UNLESS OTHERWISE SPECIFIED, TOLERANCE ON DECIMAL: ±0.3

LEAD FREE

LTR	PART NAME	QTY	MATERIAL	REMARK
6	COVER	1	PBT 4815	UL-94V0(BLACK)
5	HOUSING	1	PBT 4815	UL-94V0(BLACK)
4	PIN	1	C2680	MB:Cu Ni PLATED
3	CONTACT FOOT	1	C2680 t=0.40	MB:Ni Ag PLATED
2	SPRING PIECE	1	C5191 t=0.30	MB:Ni Ag PLATED
1	FLAT PIECE	1	C2680 t=0.40	MB:Ni Ag PLATED

PANSTRONG COMPANY LTD.				DRAWN BY	TOMMY
				CHECKED	
TITLE:	DC POWER JACK			APPROVED	
PART NO:	DJ-020-DP-16X			DRAWING NO.	
SCALE	/	REV	A	UNIT	mm