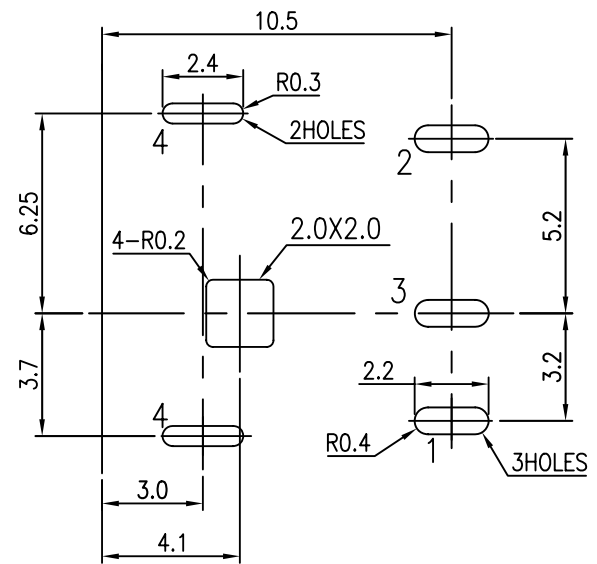
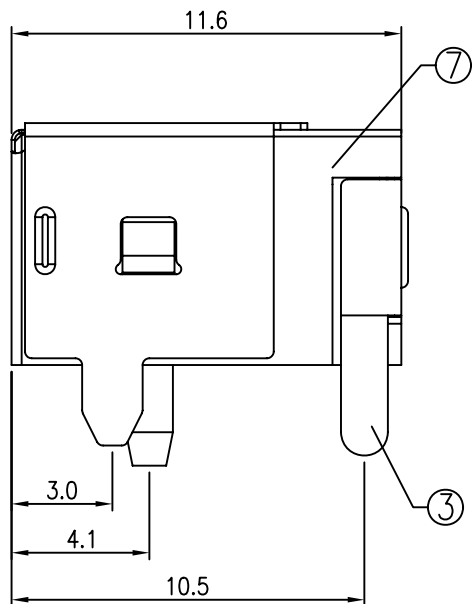
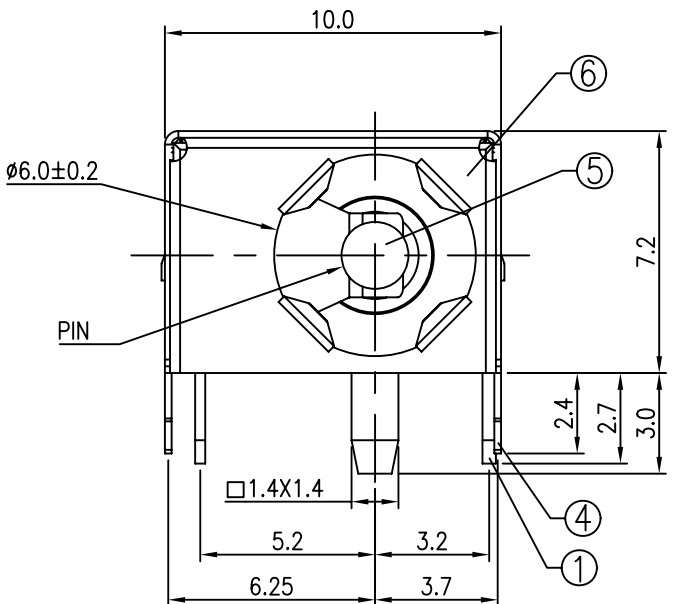


REV	DESCRIPTION	DATE
A	Initial Release	09'.09.23



UNLESS OTHERWISE SPECIFIED, TOLERANCE ON DECIMAL: ±0.3

T:1.6 Dimensions of PC board holes  
Tolerance : ±0.1(Printed-top view)

CAT. NO.	PIN	SCHEMATIC
DJ-020-DP-14MA	∅2.0	

LEAD FREE

LTR	PART NAME	QTY	MATERIAL	REMARK
7	HOUSING	1	PBT 4815	UL-94V0(BLACK)
6	SEALED PLATE	1	SUS301 t=0.10	MB:Cu Ni PLATED
5	PIN	1	H59(COPPER ALLOY)	MB:Cu Sn PLATED
4	COAT FOOT	1	C2680 t=0.20	MB:Cu Ni PLATED
3	CURVE PIECE	1	C2680 t=0.30	MB:Ni Ag PLATED
2	SPRING PIECE	1	C5191 t=0.30	MB:Ni Ag PLATED
1	CONTACT FOOT	1	C2680 t=0.40	MB:Ni Ag PLATED

PANSTRONG COMPANY LTD.				DRAWN BY		TOMMY			
				CHECKED					
TITLE:		DC POWER JACK		APPROVED					
PART NO:		DJ-020-DP-14MA		DRAWING NO.					
SCALE		/		REV	A		UNIT	mm	